

Fig. 1

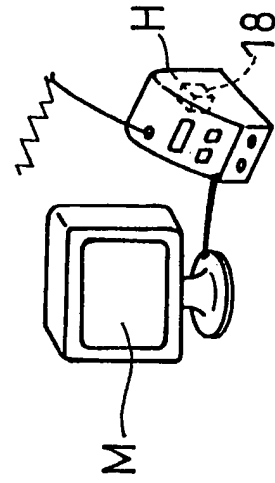
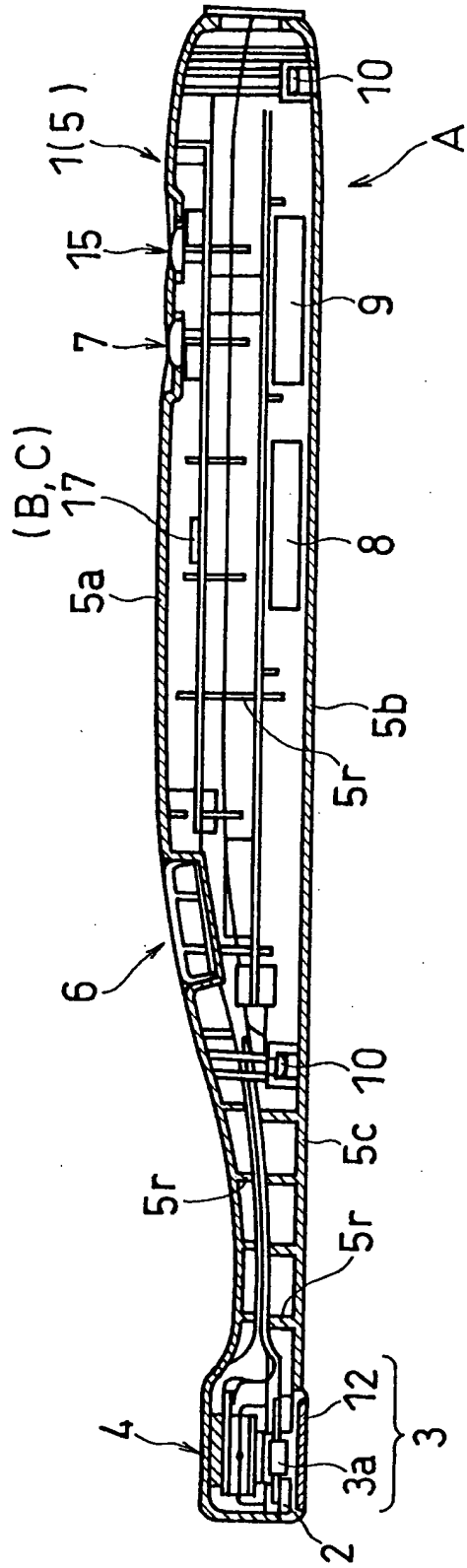


Fig. 2

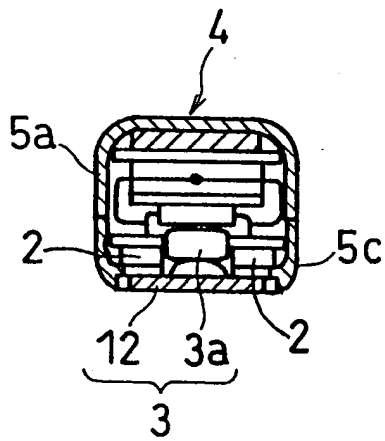


Fig. 3

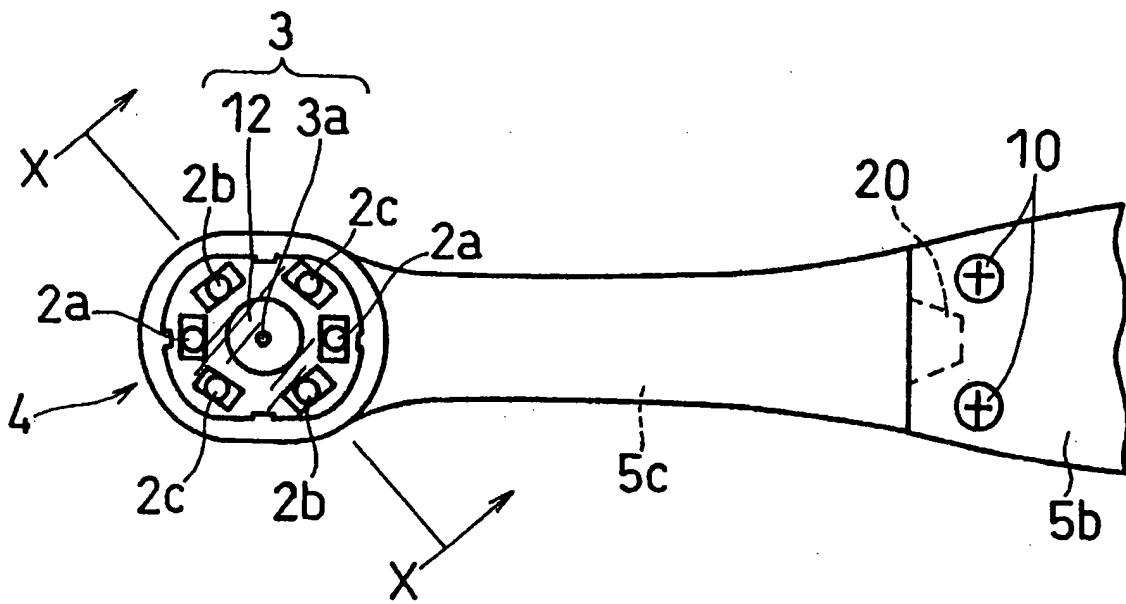


Fig. 4

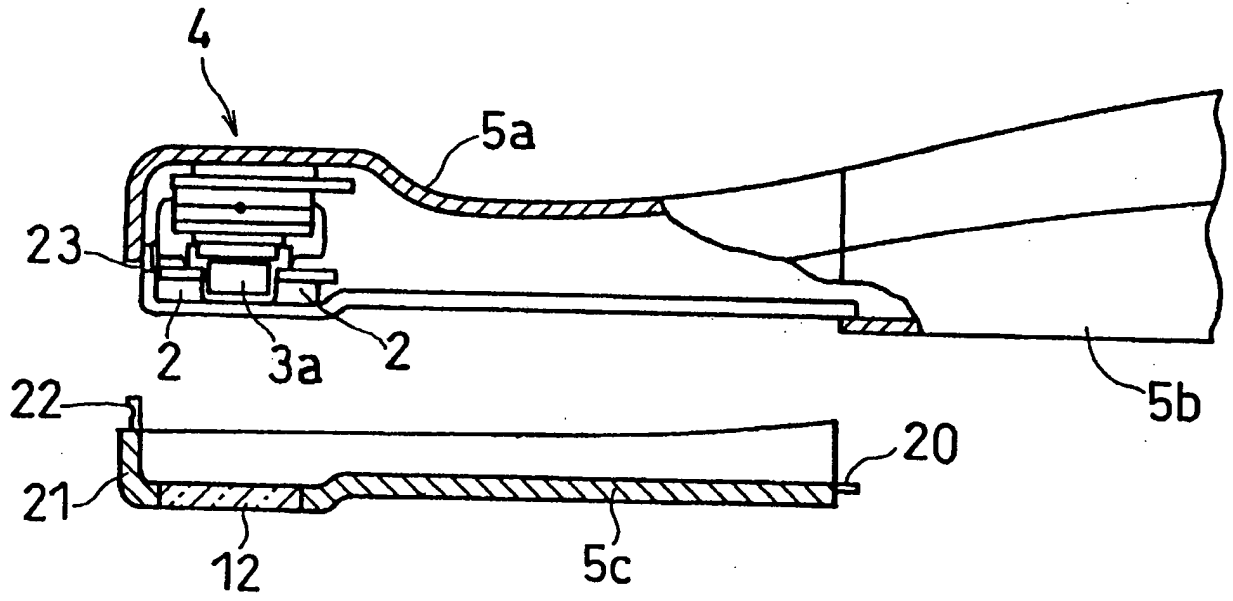


Fig. 5

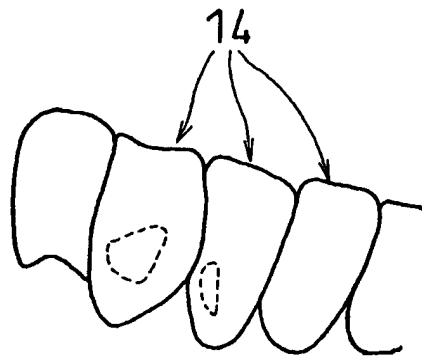


Fig. 6

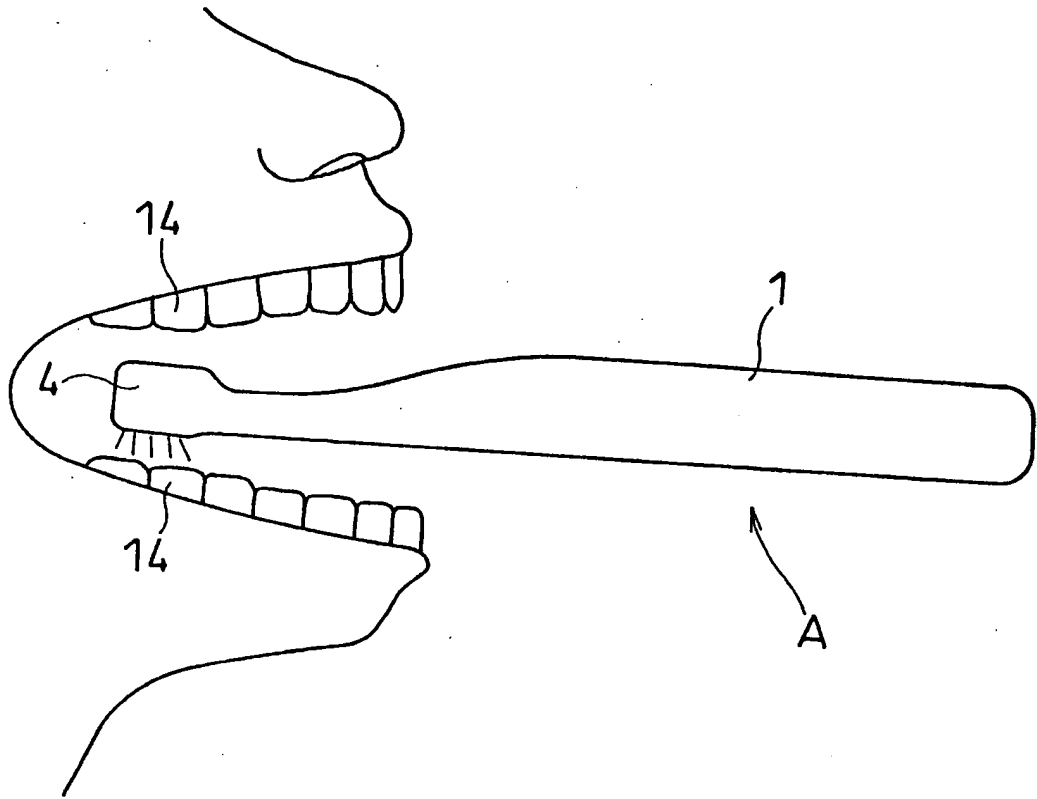


Fig. 7

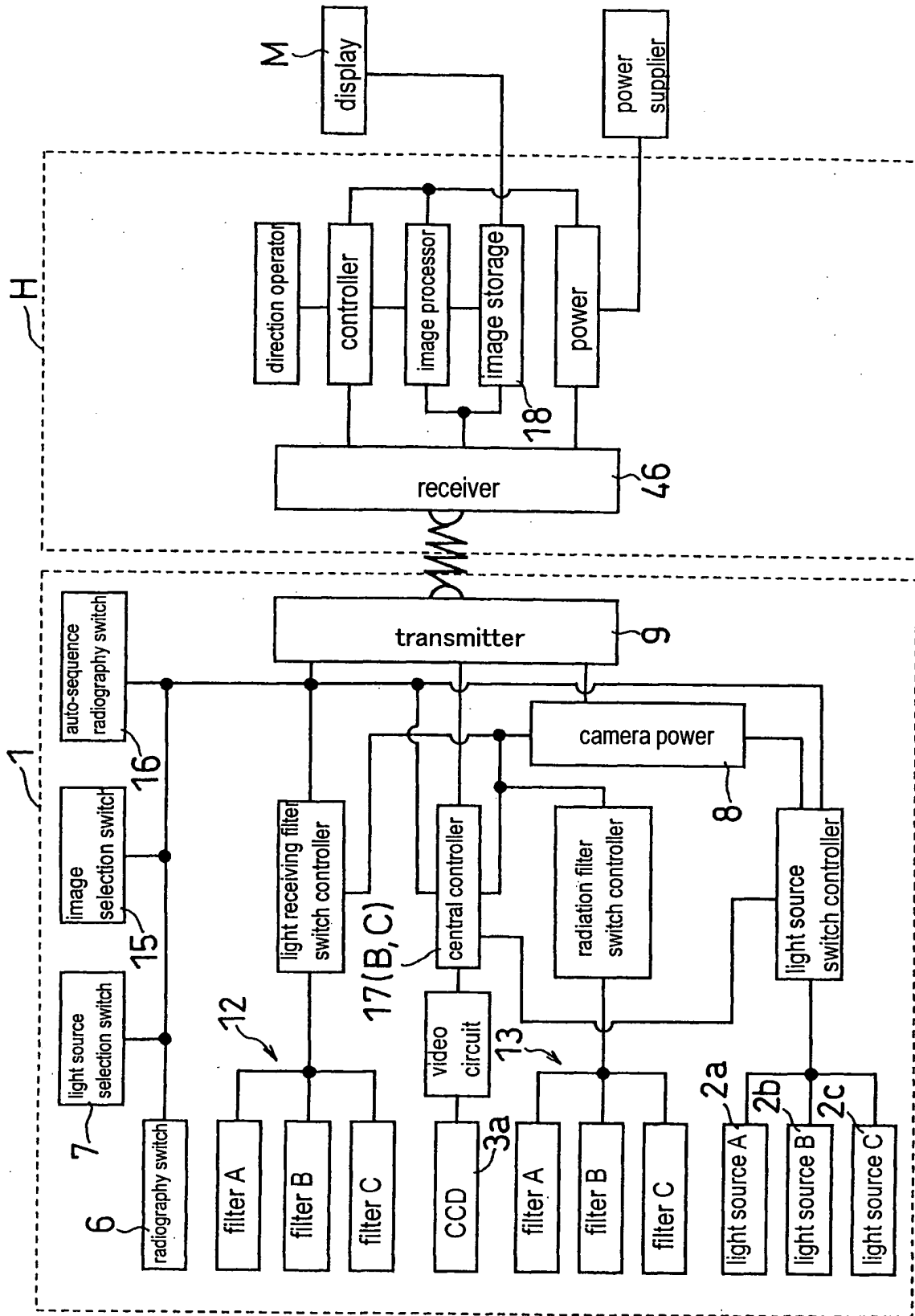


Fig. 8

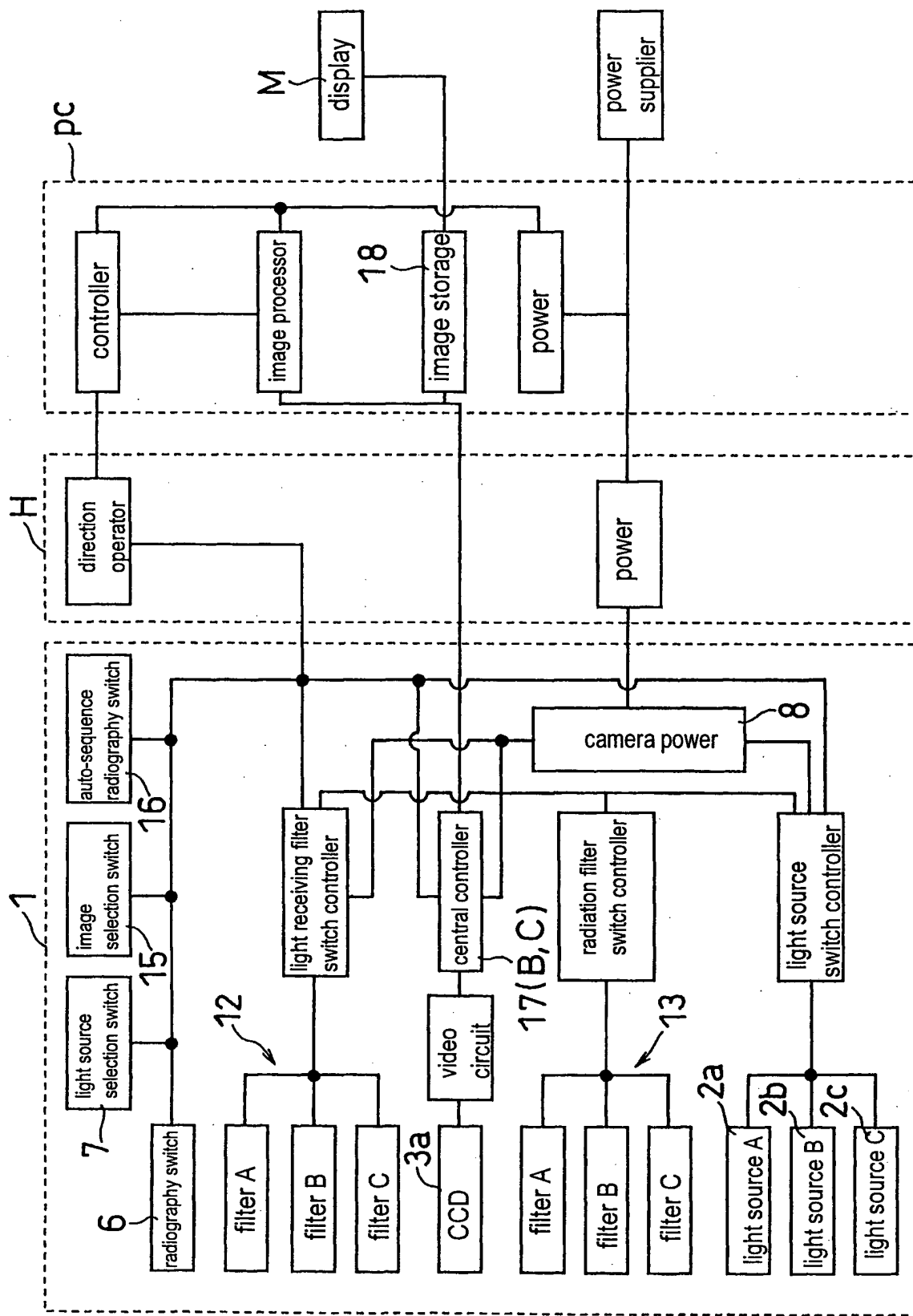
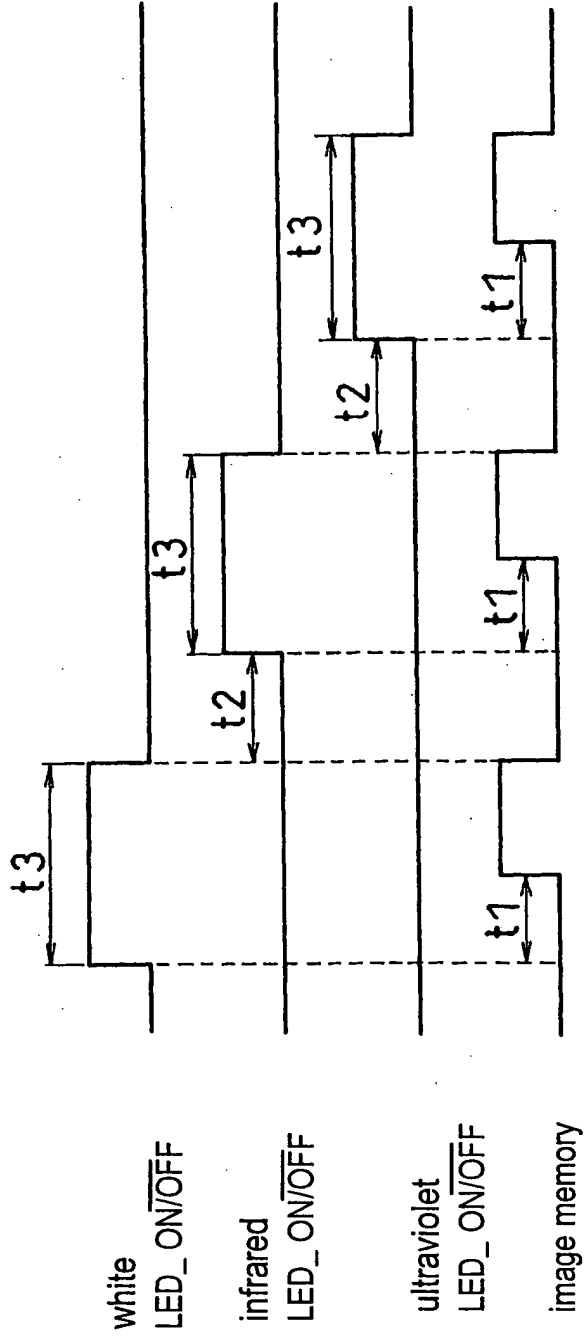


Fig. 9



t1: time from radiation start of each LED to image sampling start
t2: waiting time for switching radiating LED
t3: radiation time of each LED

Fig. 10

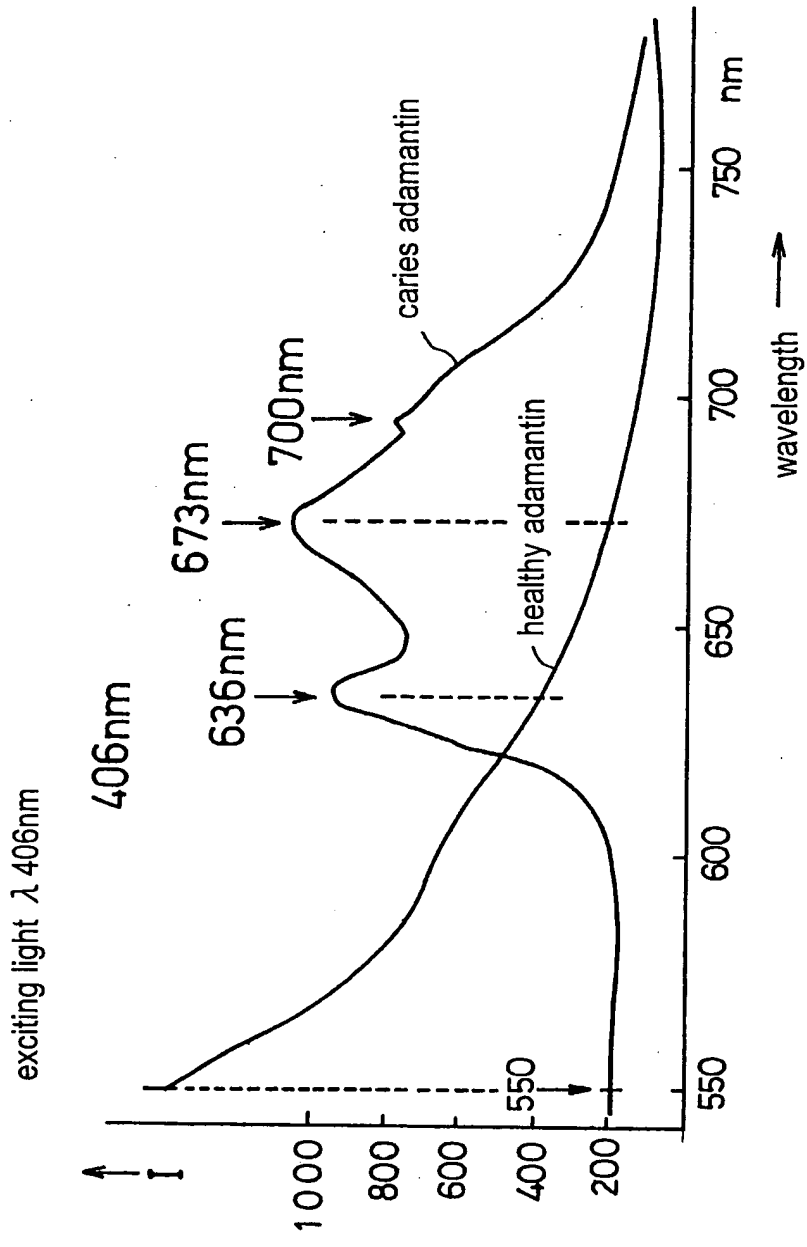


Fig. 11

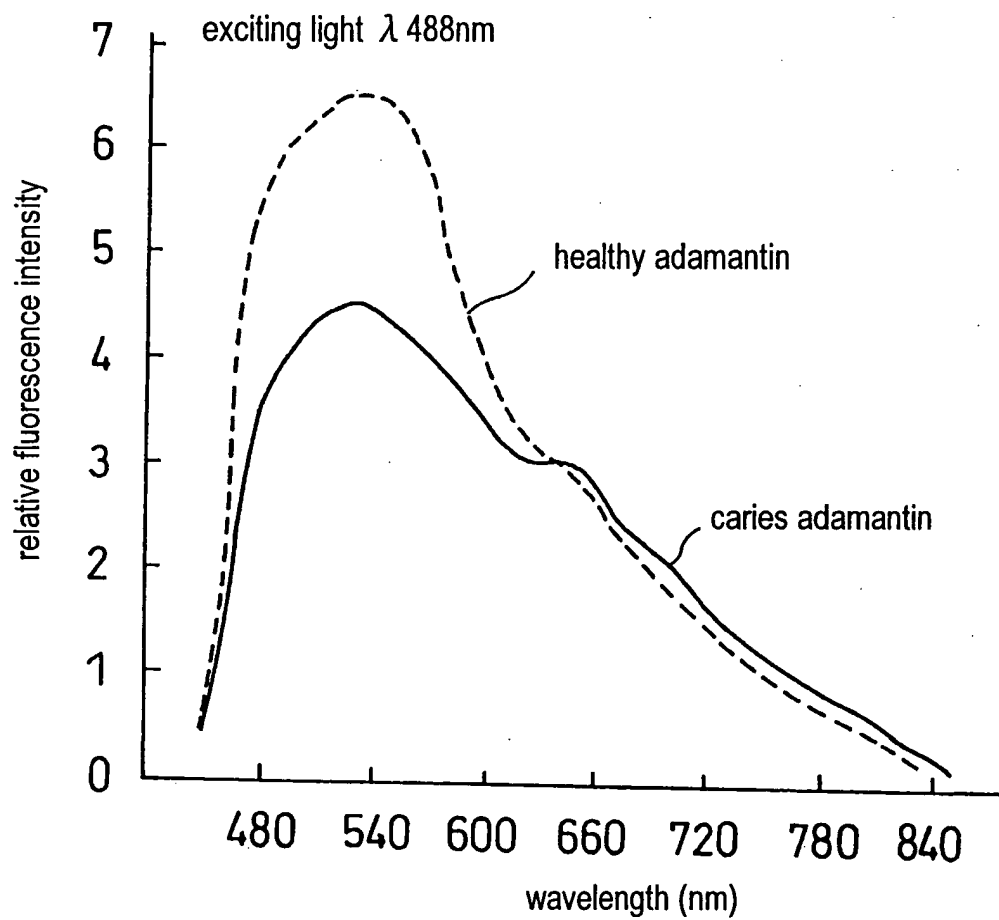


Fig. 12

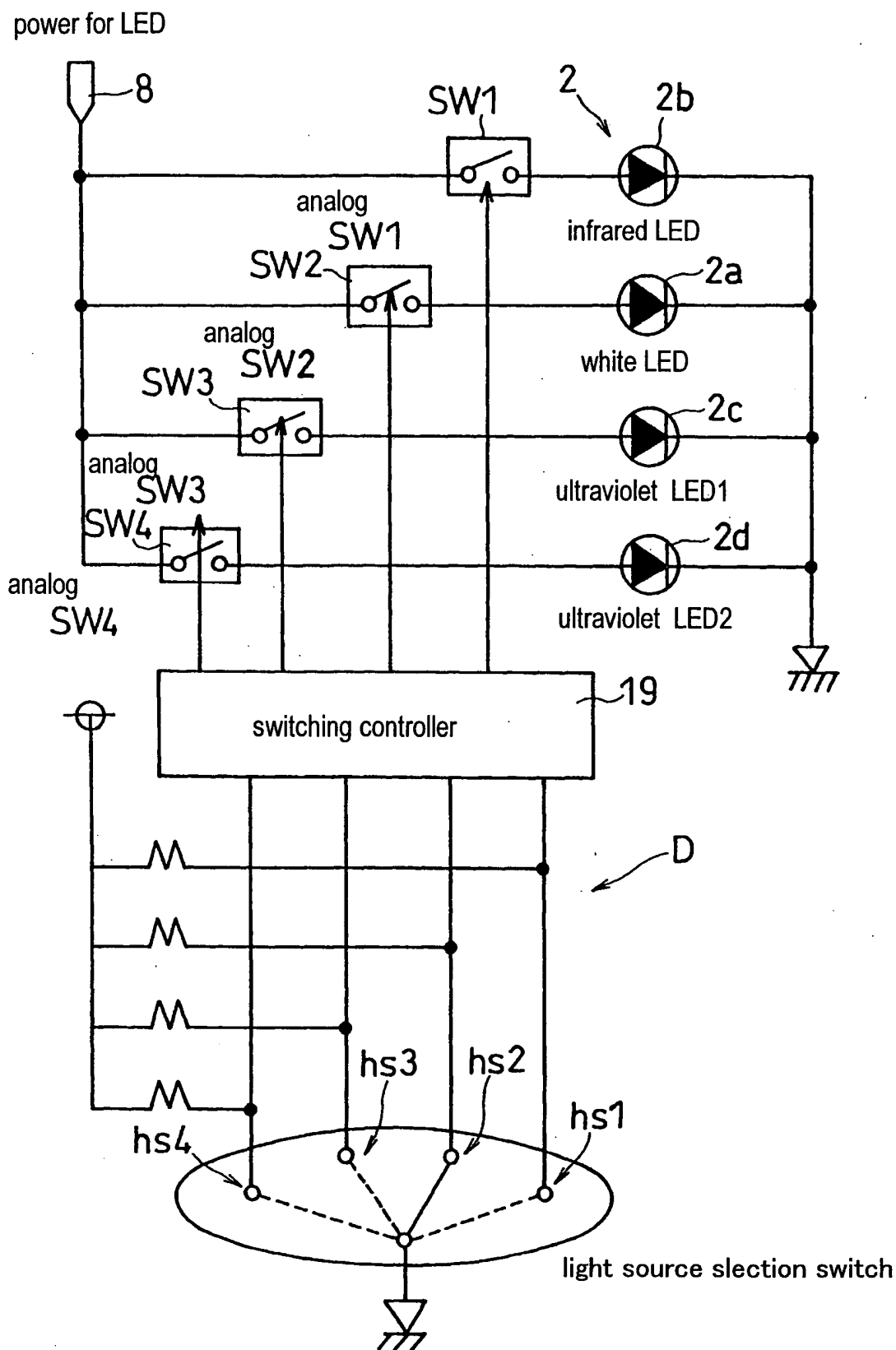


Fig. 13

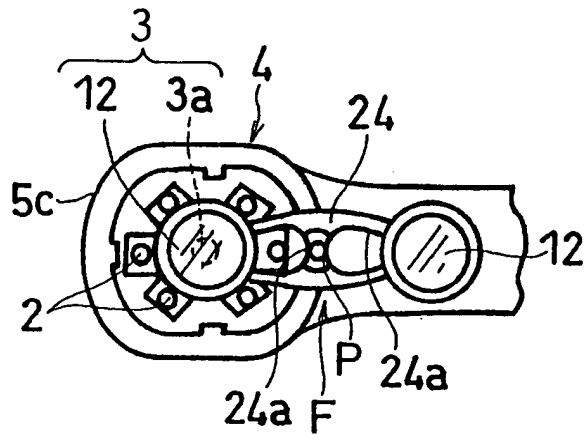


Fig. 14

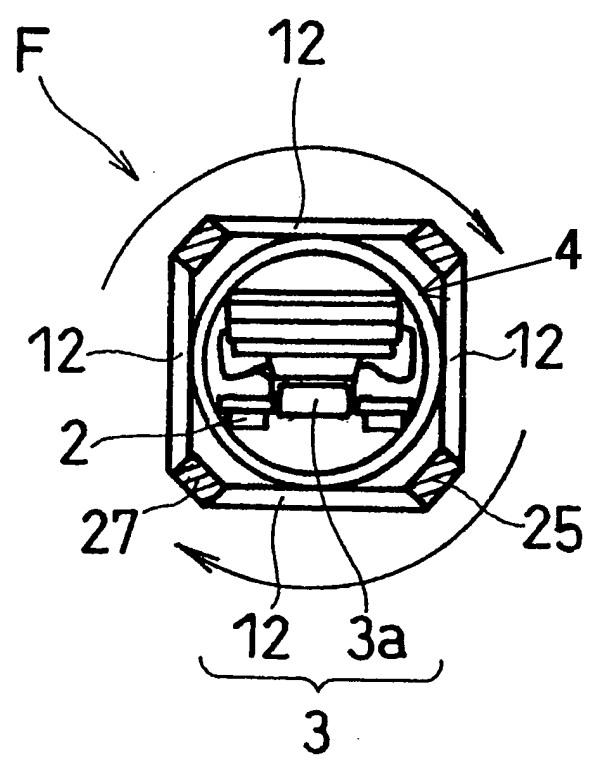


Fig. 15

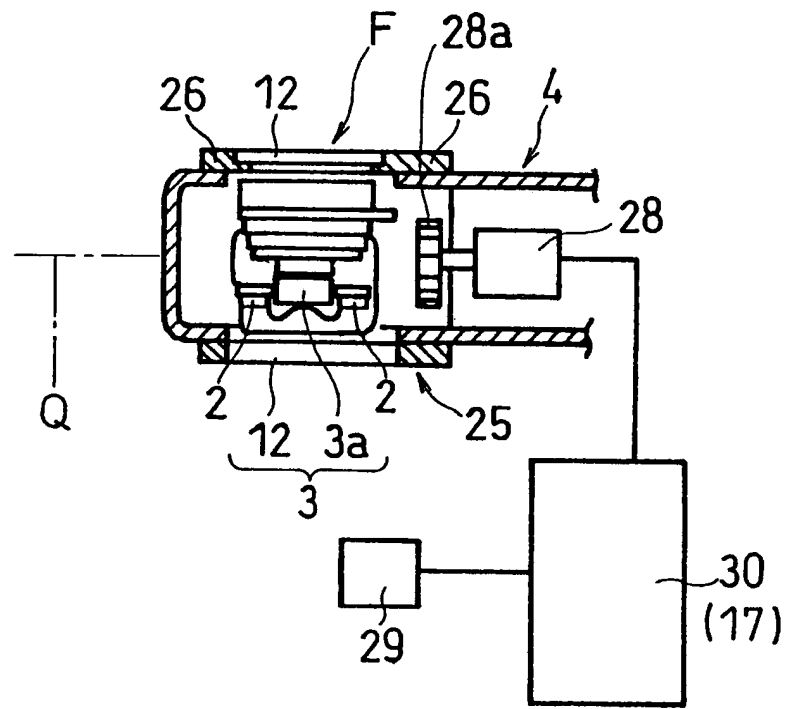


Fig. 16

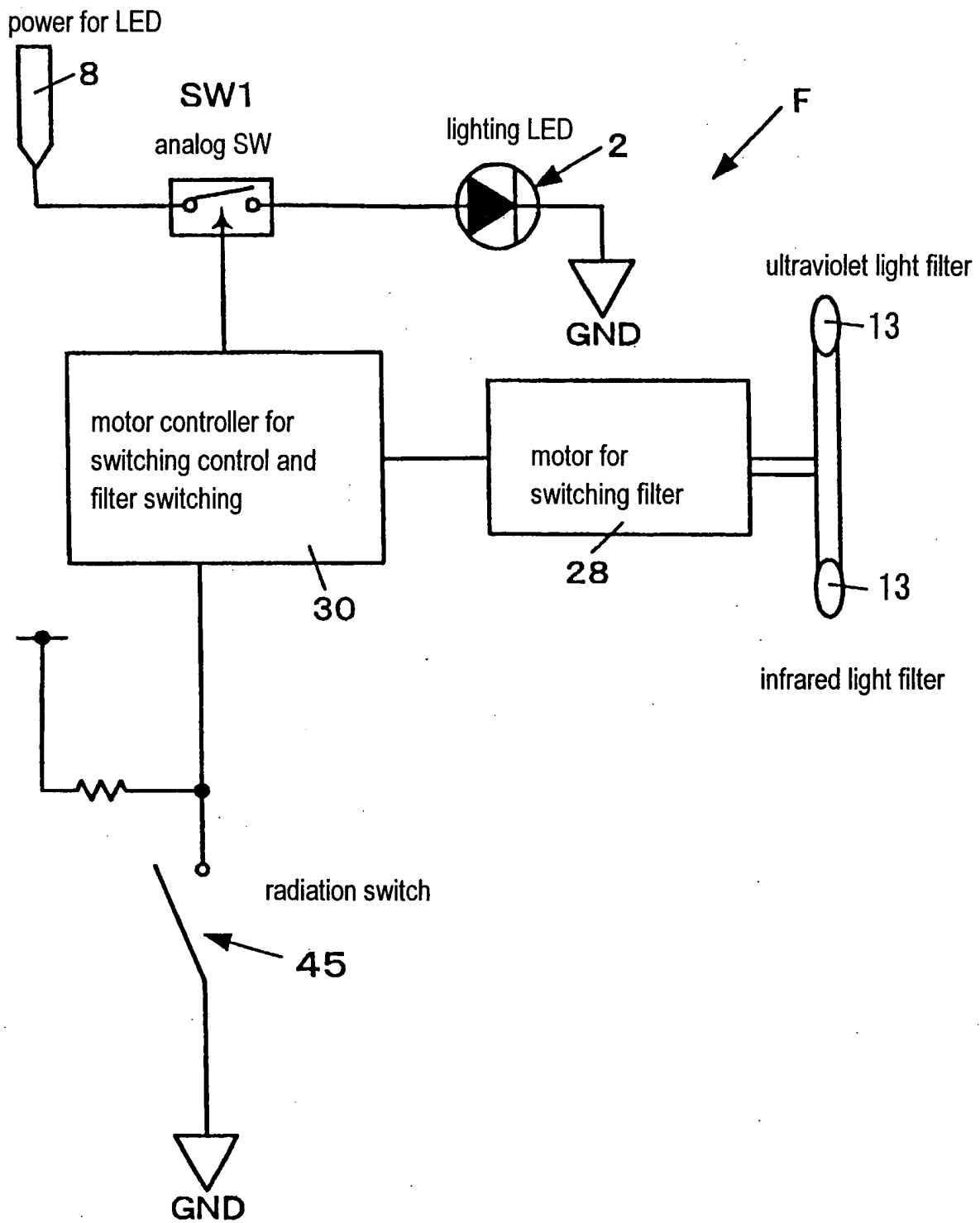
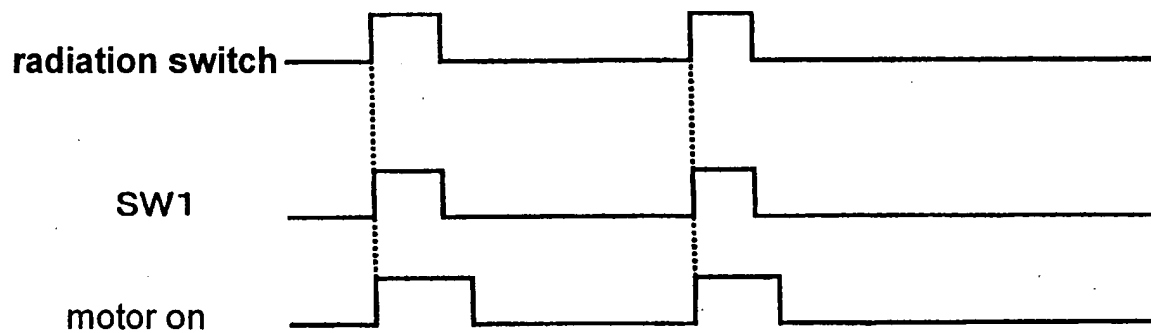


Fig. 17



time chart to control each light source and a motor for switching filter
in accordance with the sequence predetermined by a radiation switch

Fig. 18

Fig. 19a

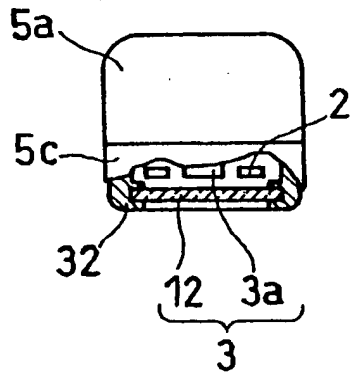


Fig. 19b

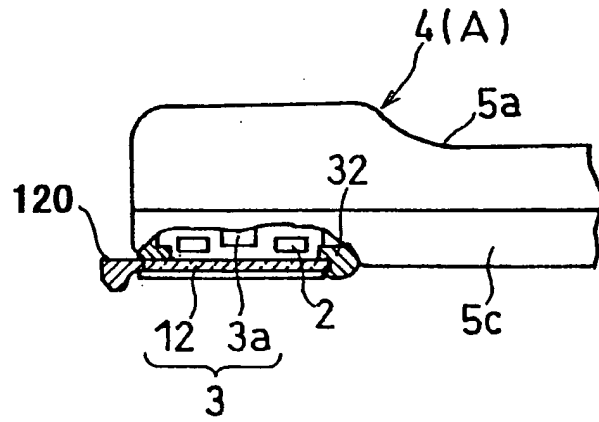


Fig. 19c

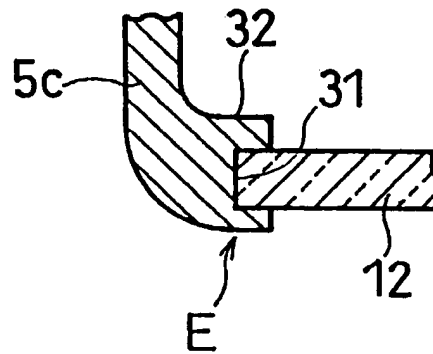


Fig. 20a

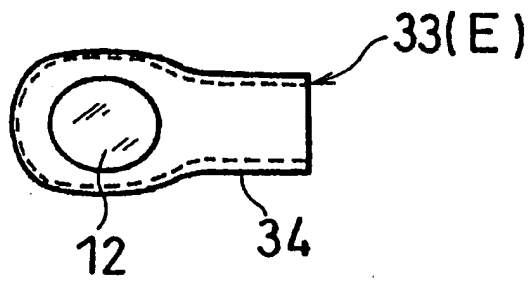


Fig. 20b

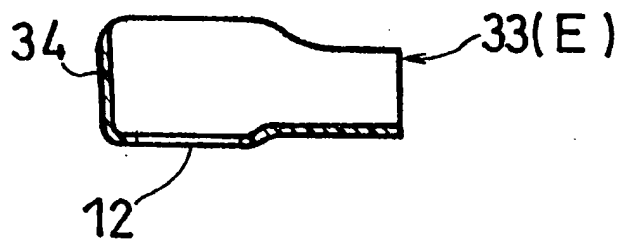


Fig. 21a

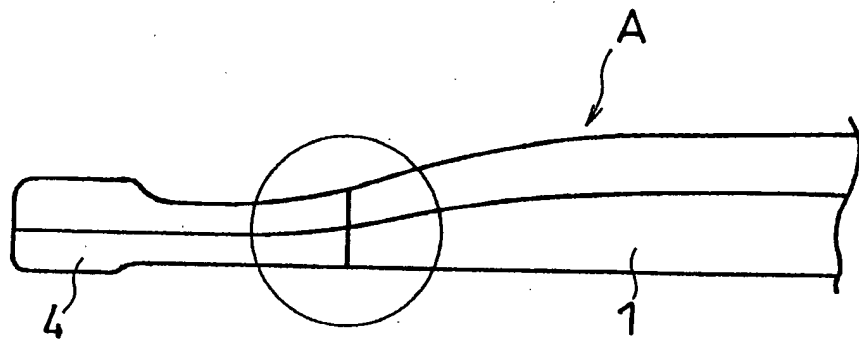
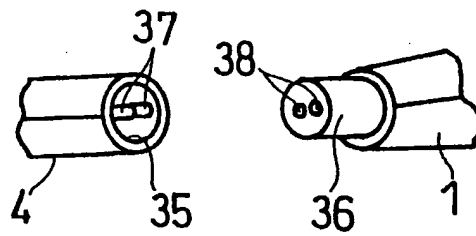


Fig. 21b



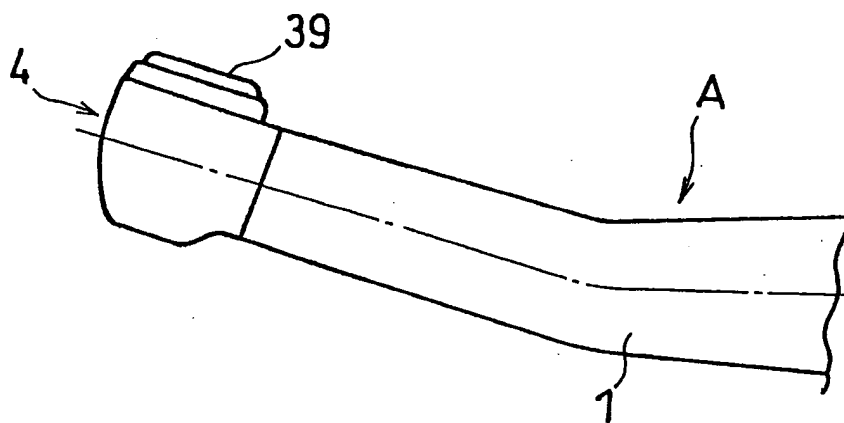


Fig. 22

Fig. 23a

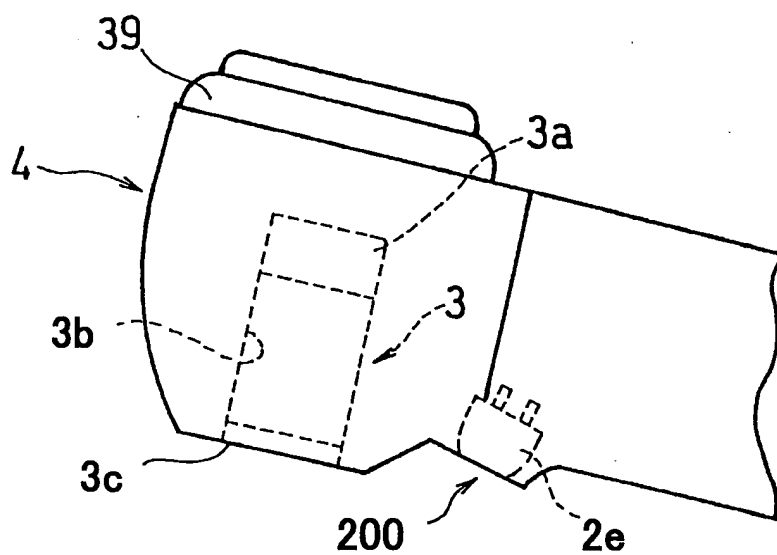


Fig. 23b

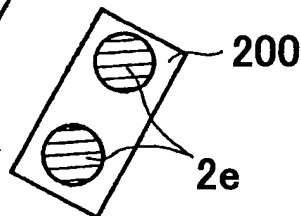
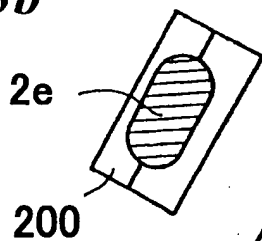


Fig. 23c

Fig. 24a

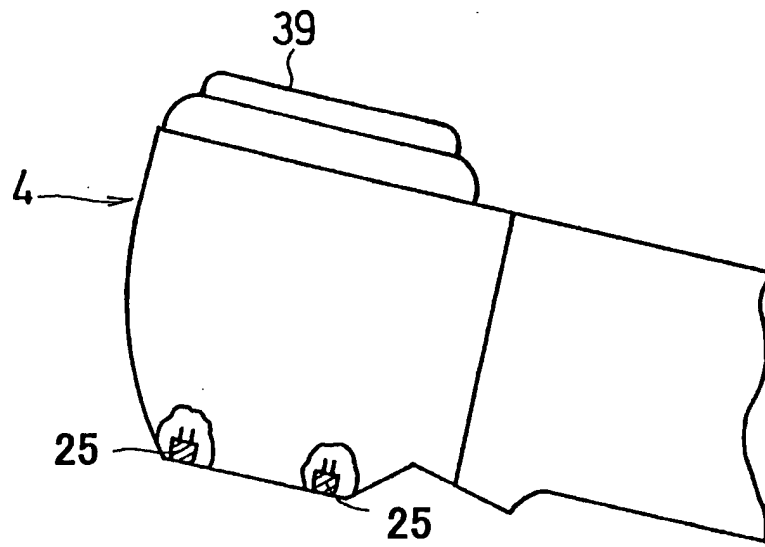
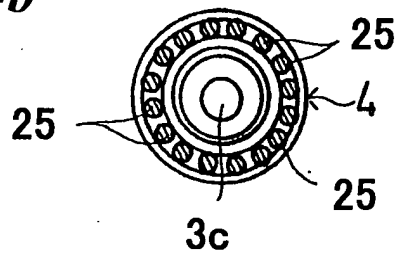


Fig. 24b



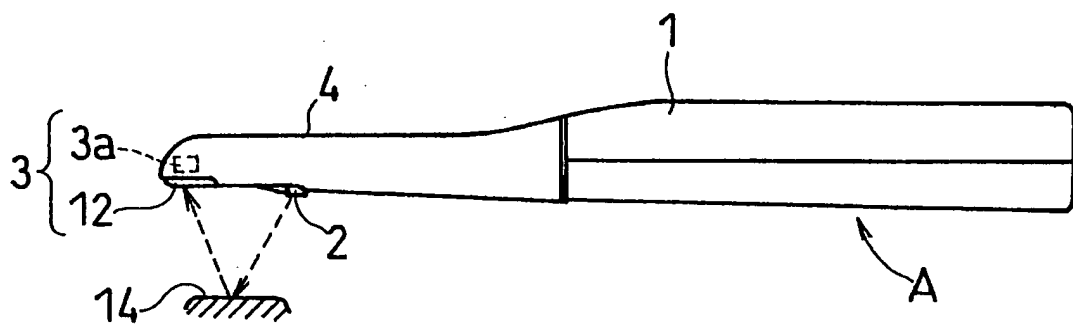
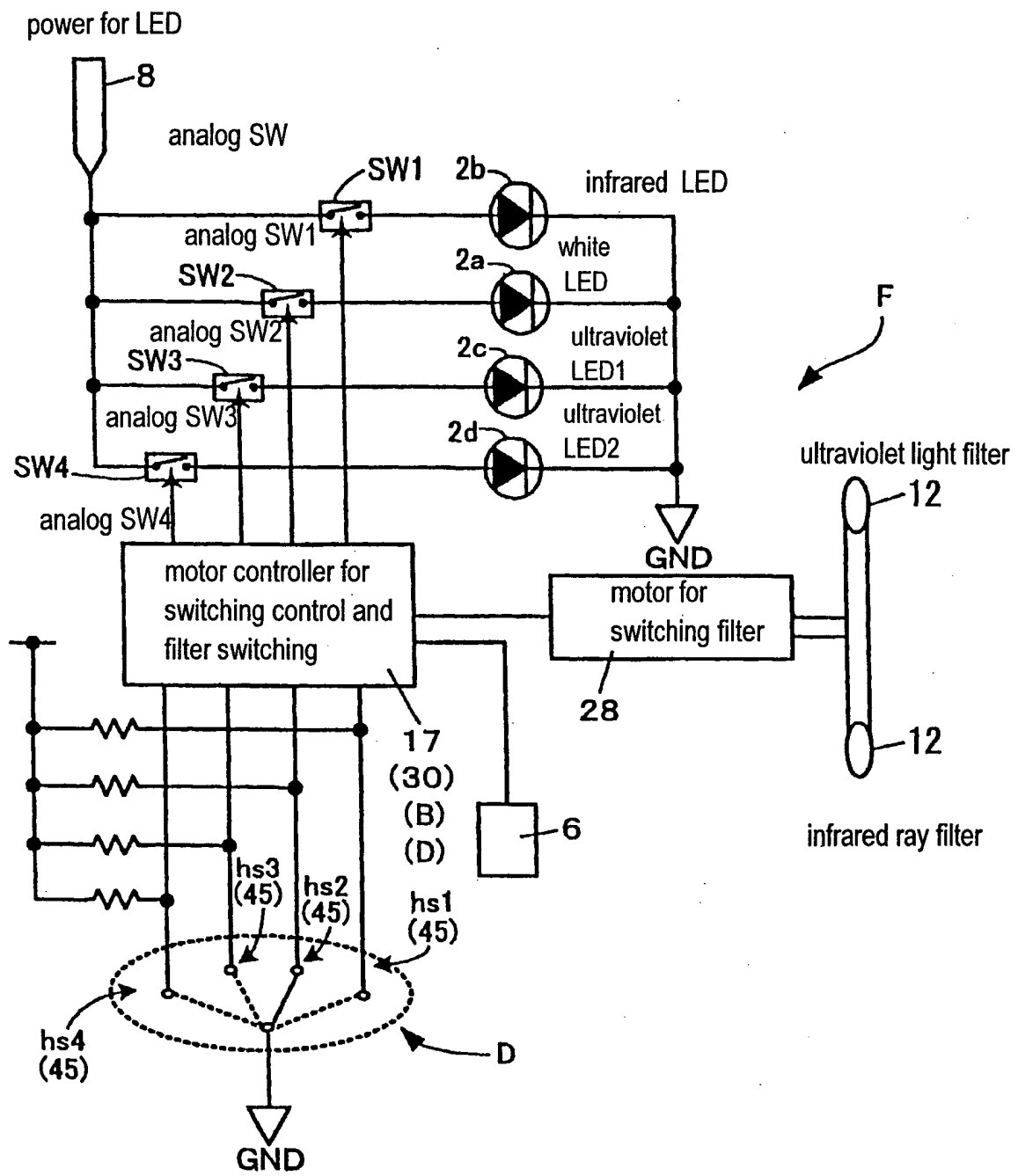
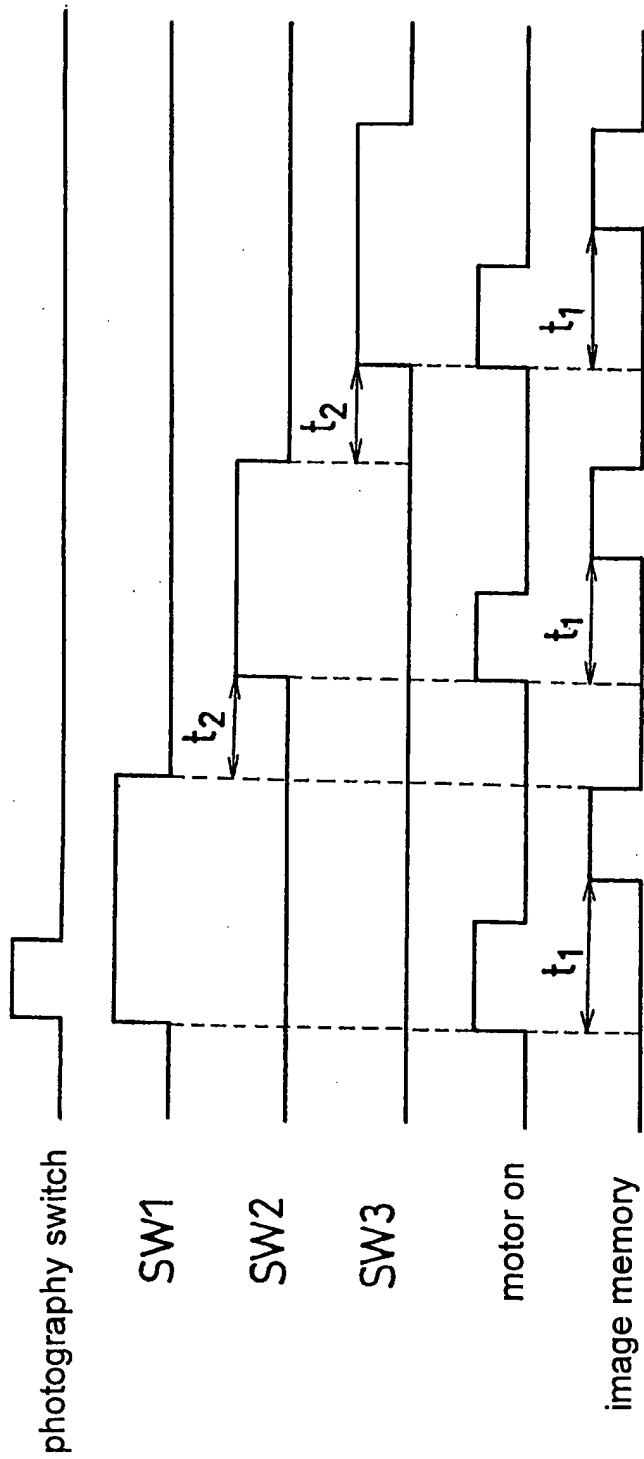


Fig. 25



embodiment of each light source selected
by each switch and a motor for switching filter

Fig. 26

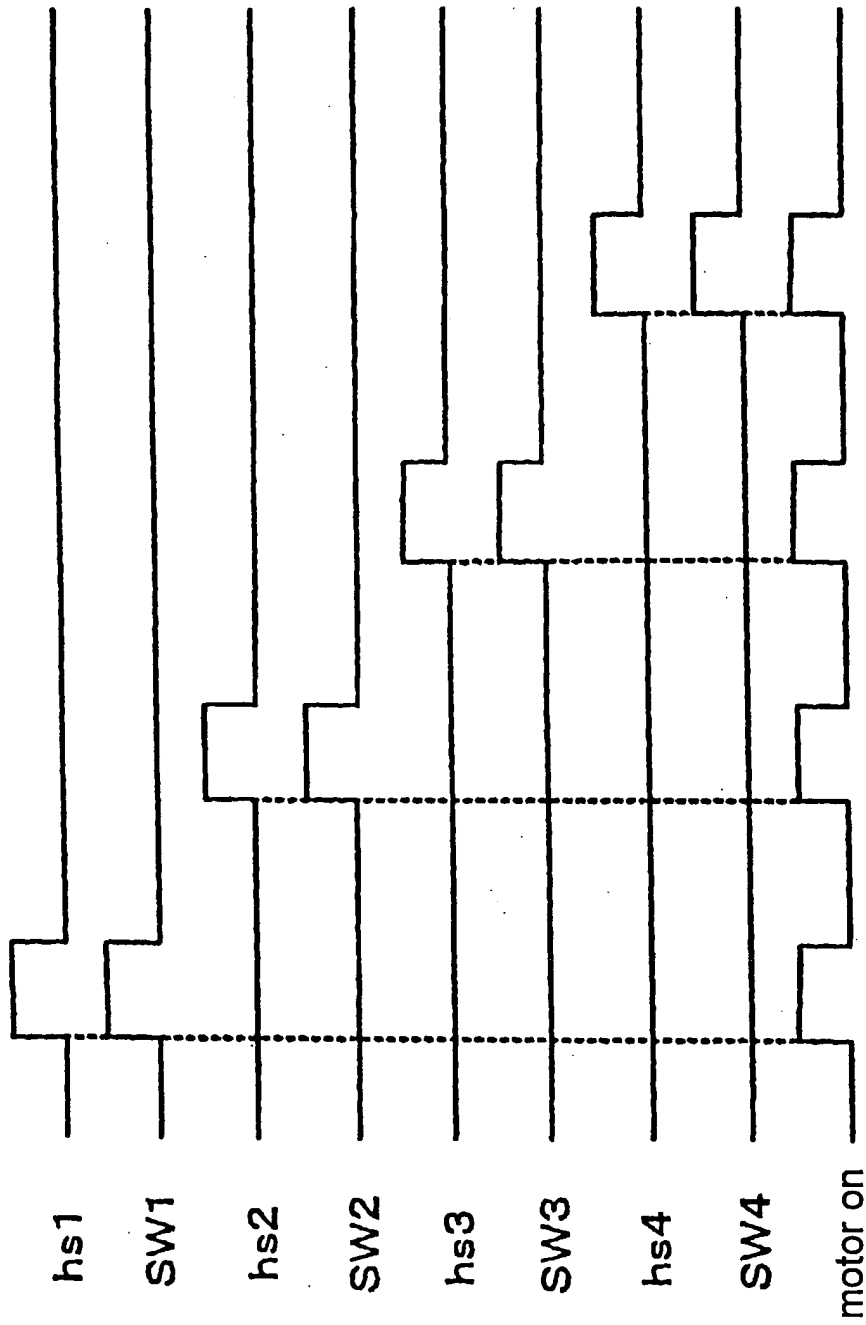


t_1 : time from radiation start of each LED to image sampling start

t_2 : waiting time for switching radiating

time chart to control each light source and a motor for switching filter in accordance with the sequence predetermined by a radiation switch

Fig. 27



time chart of radiation of each light source selected by each switch and
 a time chart of drive of a motor for switching filter

Fig. 28

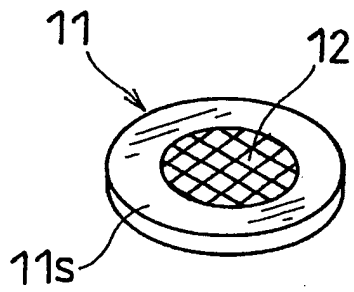


Fig. 29a

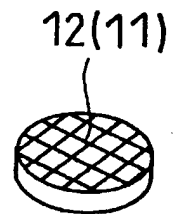


Fig. 29b

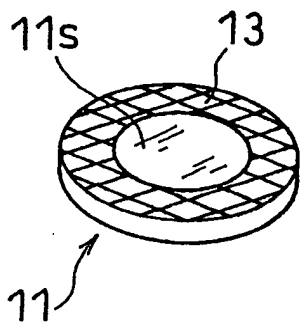


Fig. 30a

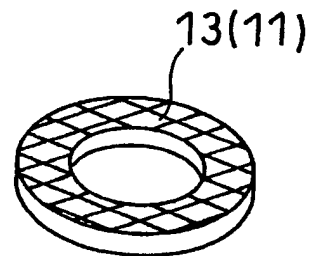


Fig. 30b

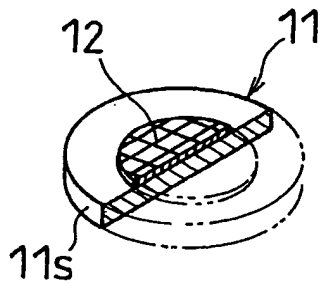


Fig. 31a

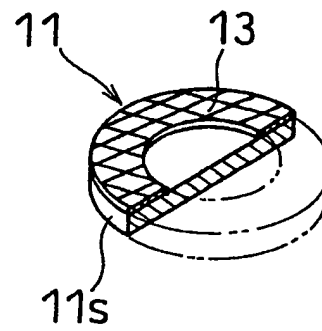


Fig. 31b

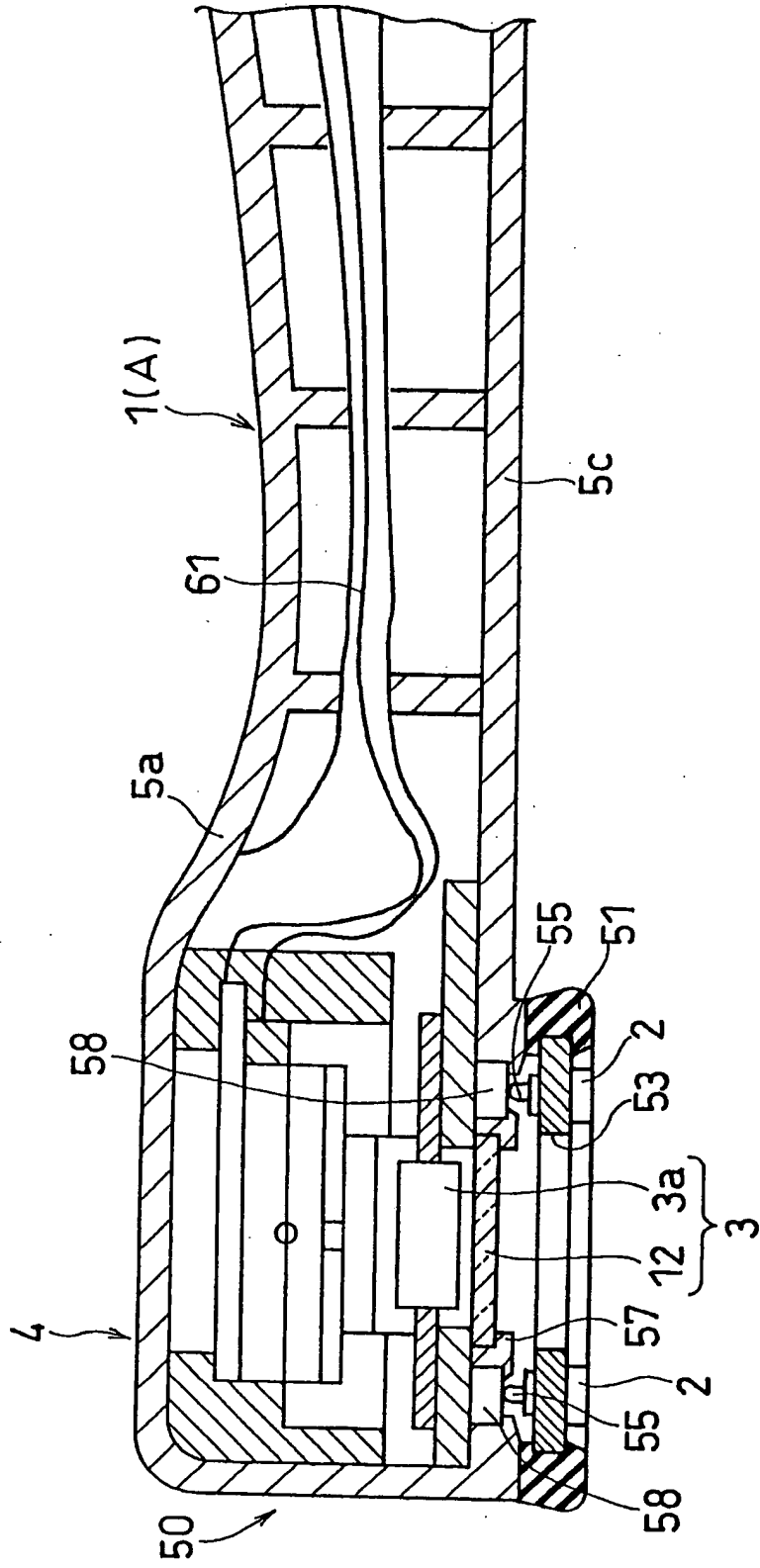


Fig. 32

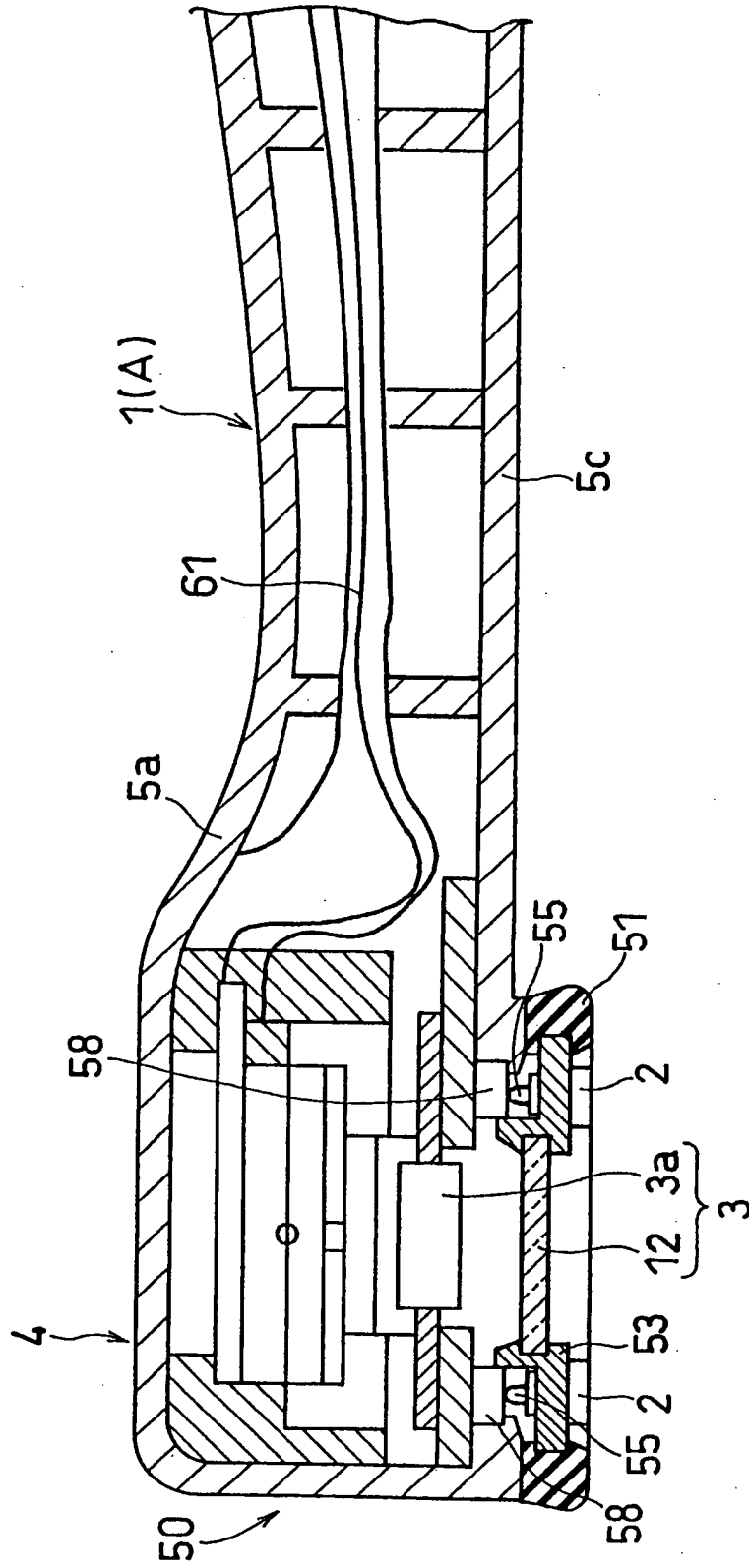


Fig. 33

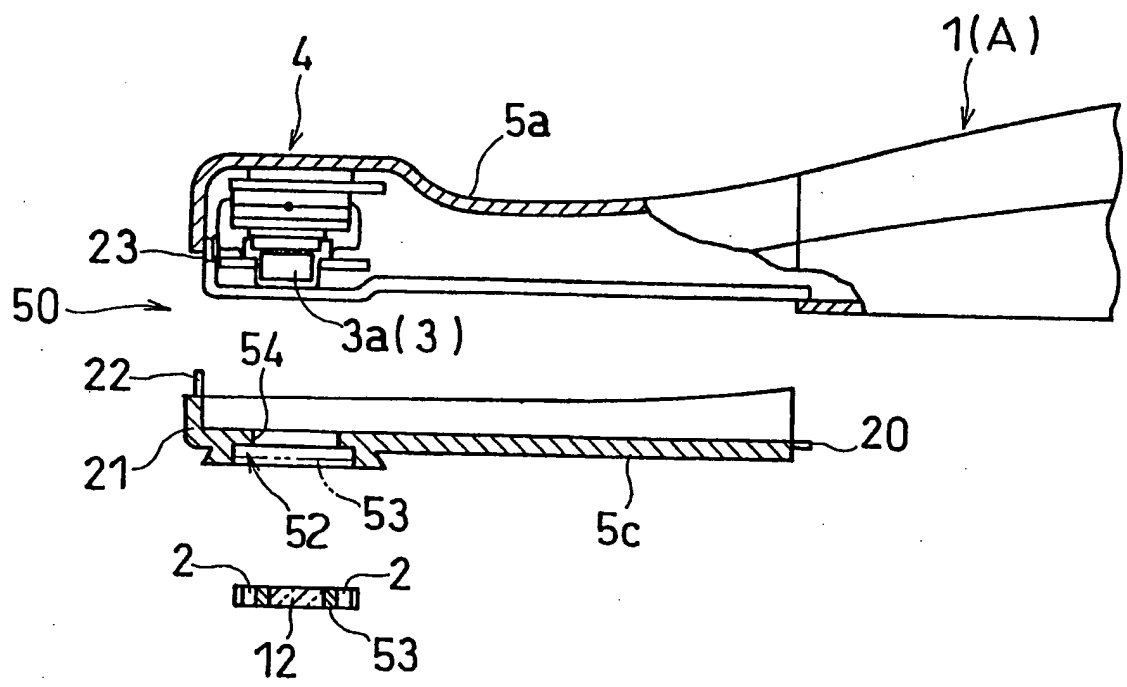


Fig. 34

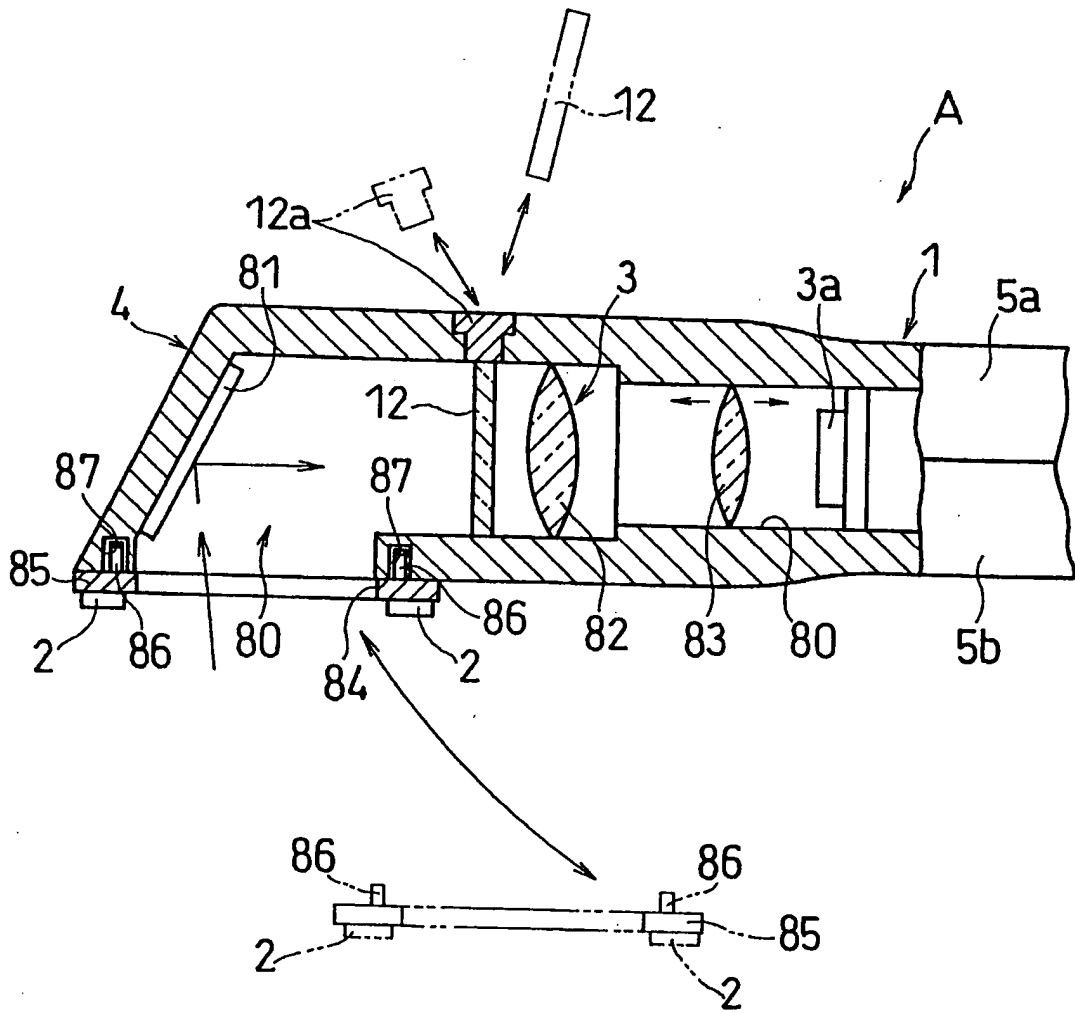


Fig. 35

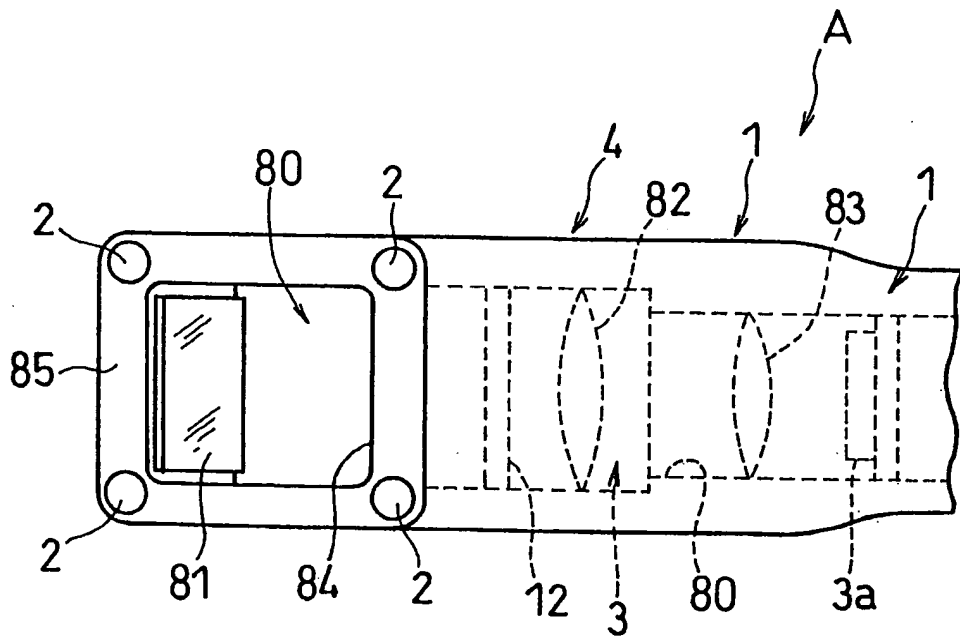


Fig. 36

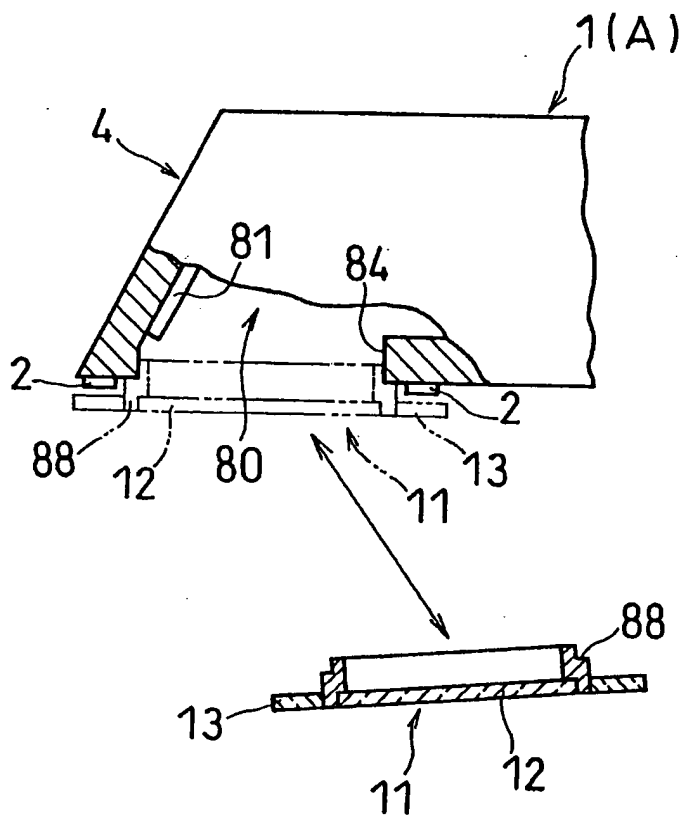


Fig. 37

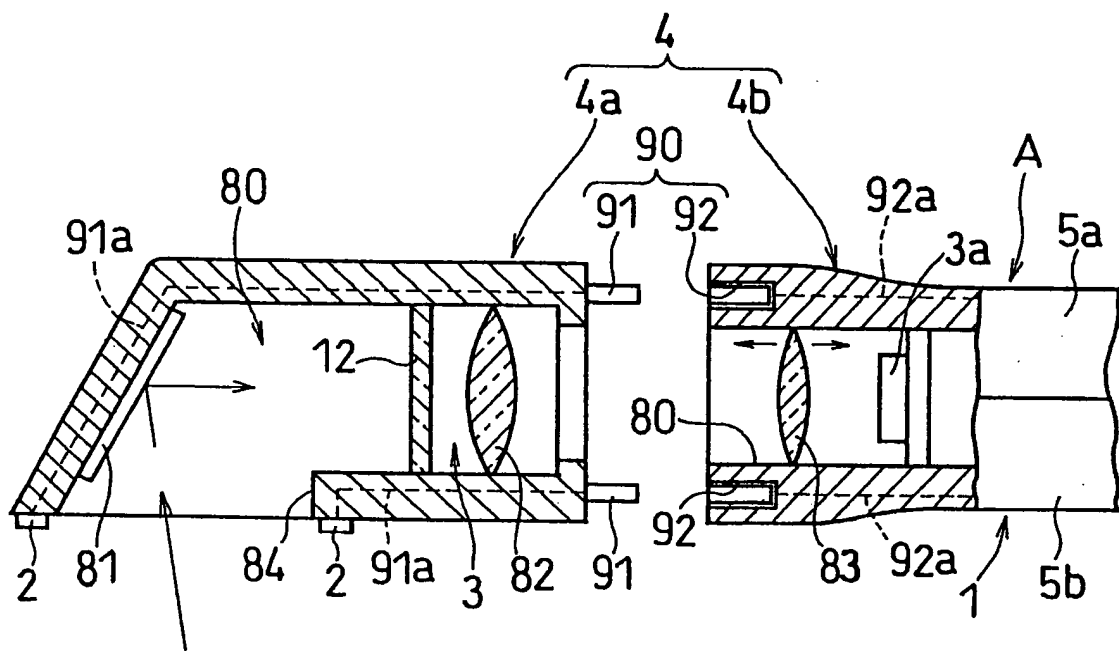


Fig. 38

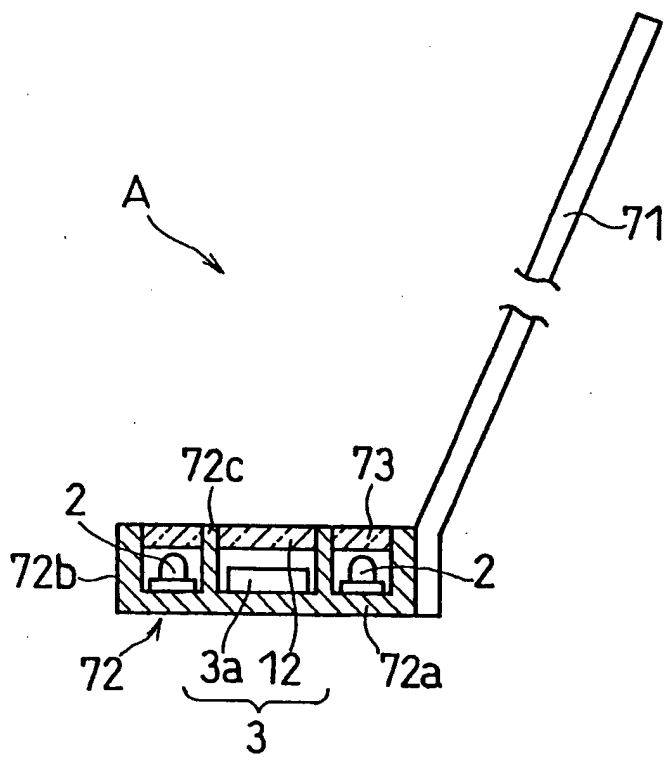


Fig. 39

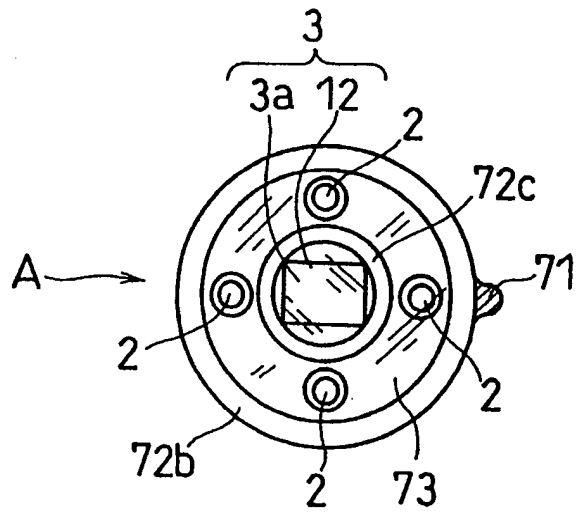


Fig. 40

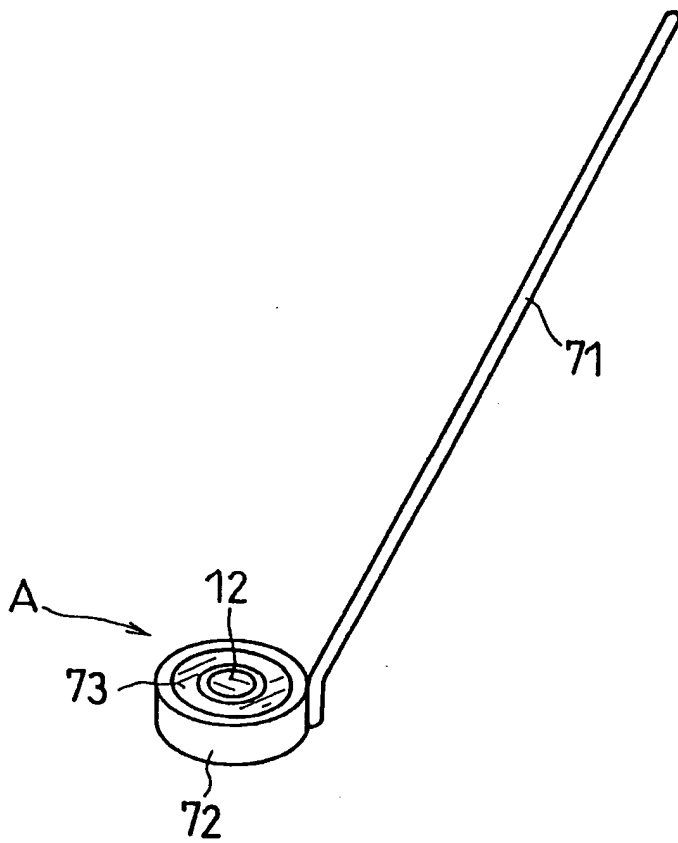


Fig. 41

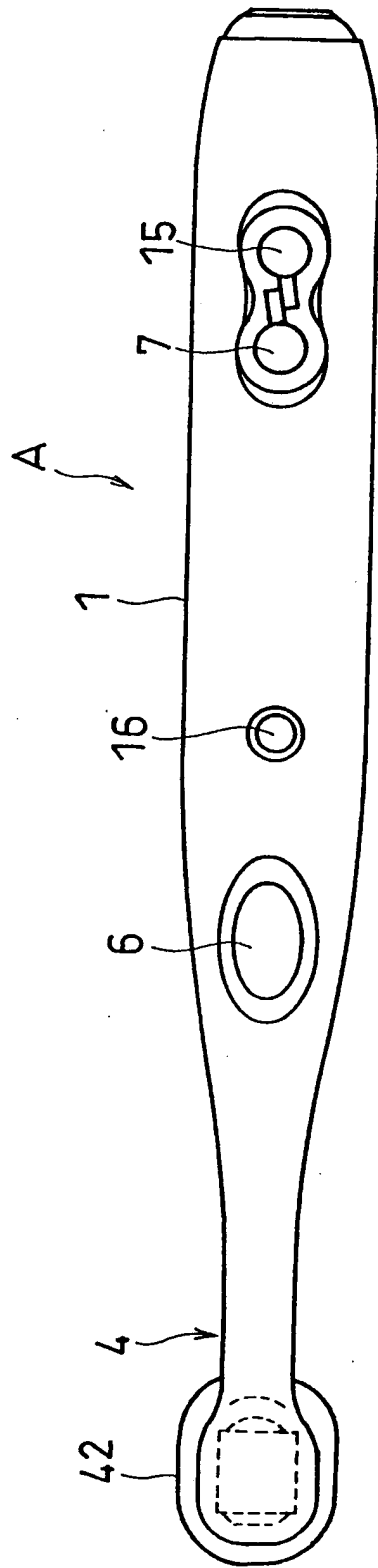


Fig. 42

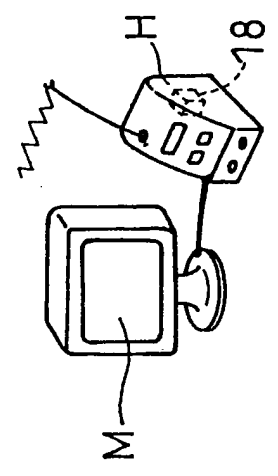
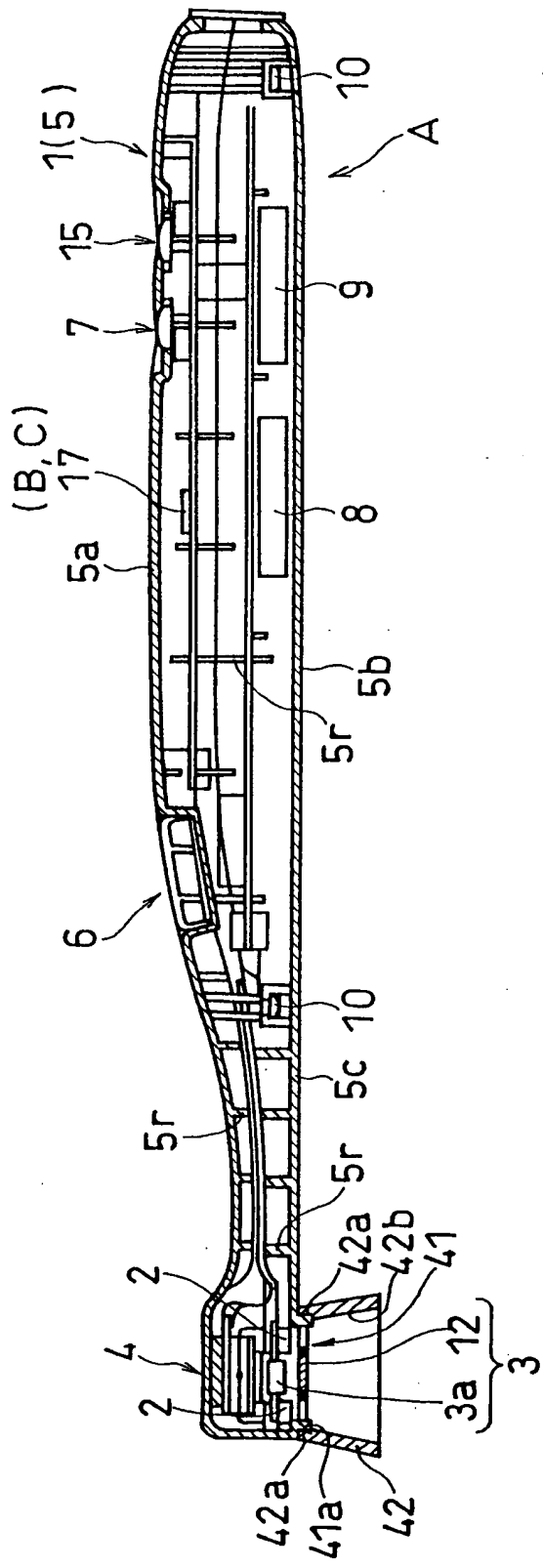


Fig. 43

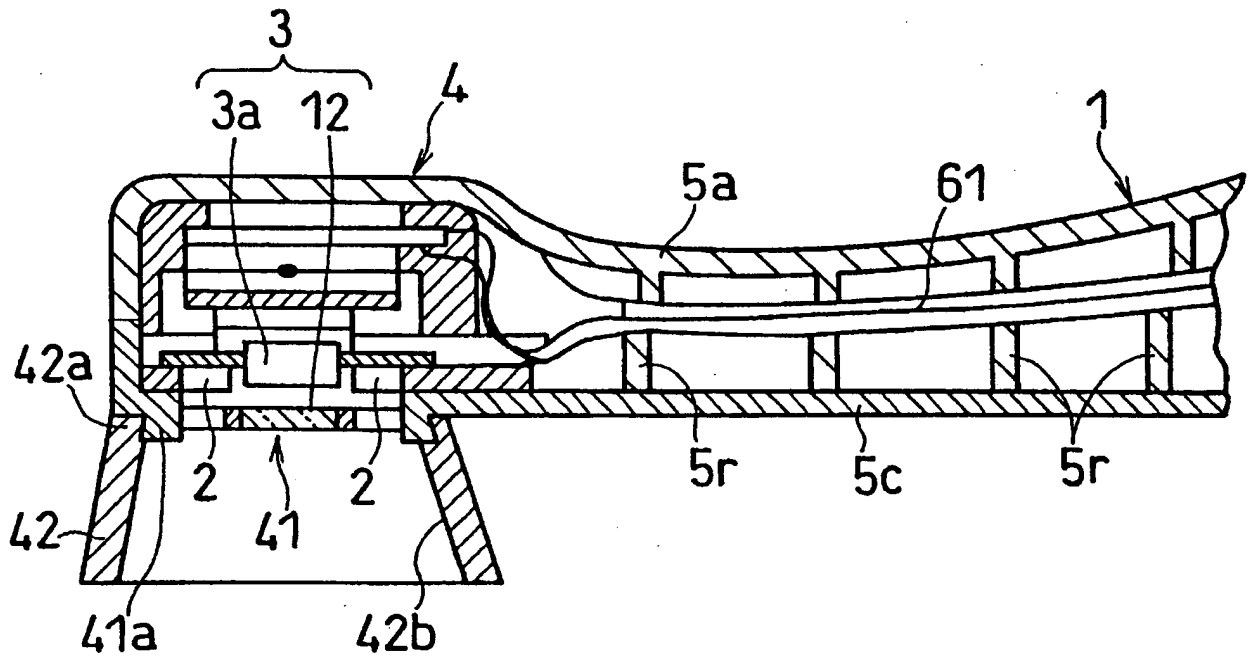


Fig. 44

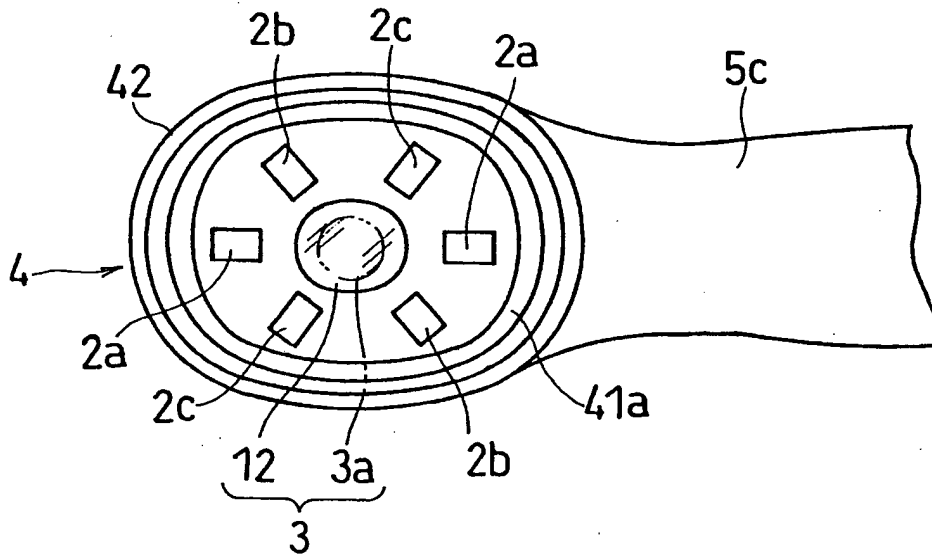


Fig. 45

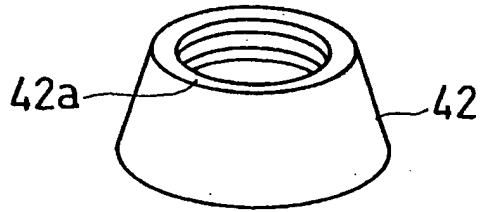


Fig. 46

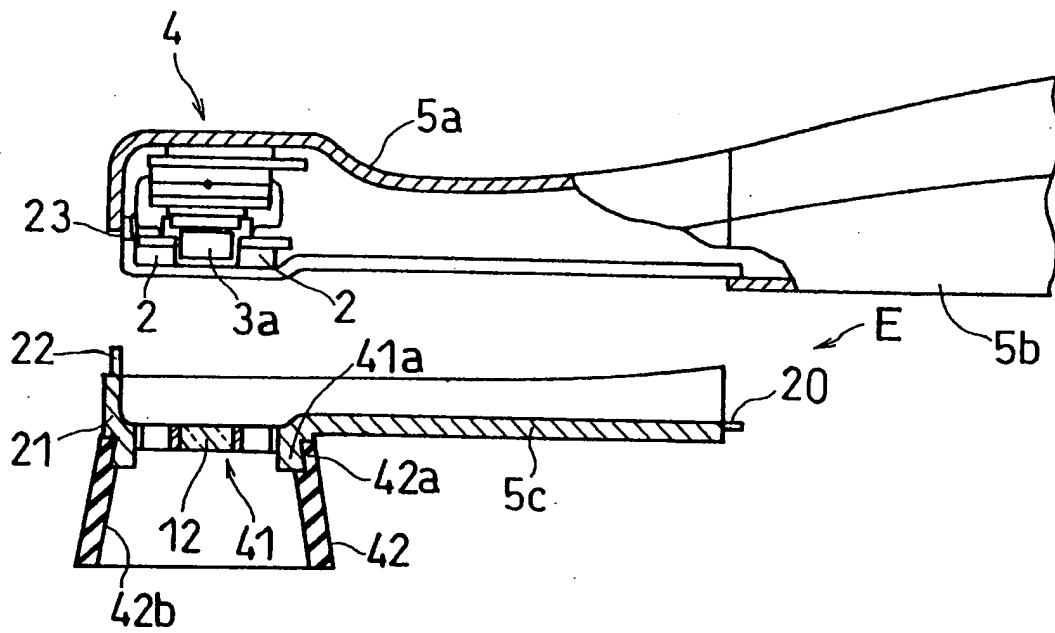


Fig. 47

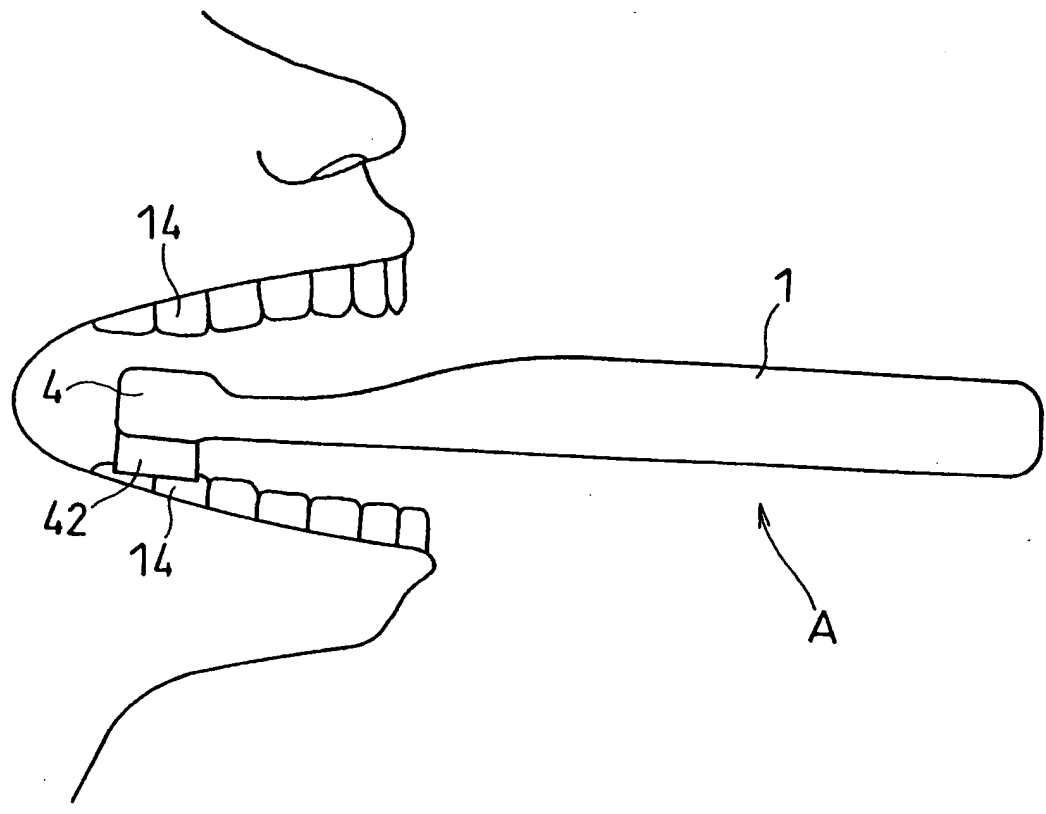


Fig. 48

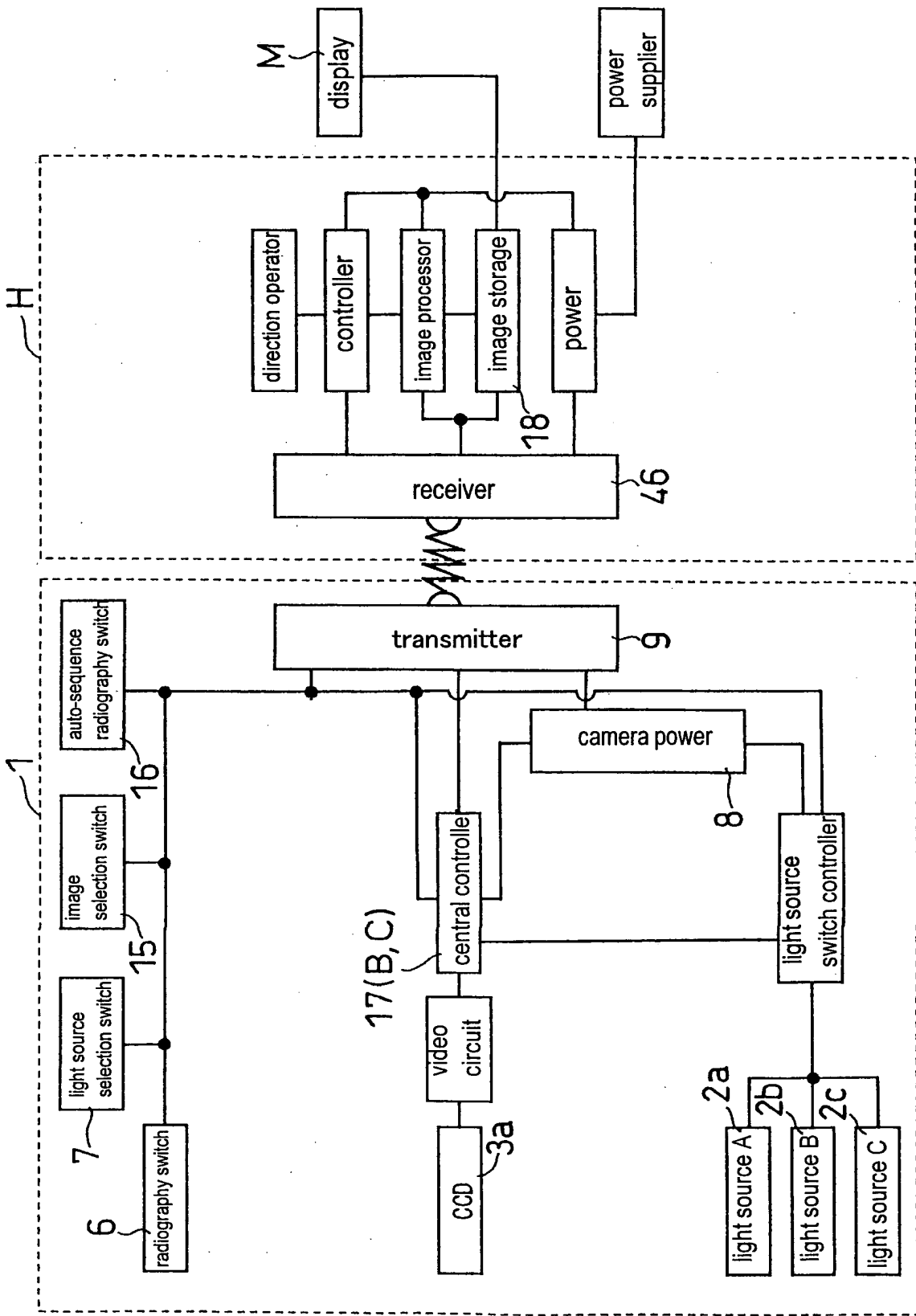


Fig. 49

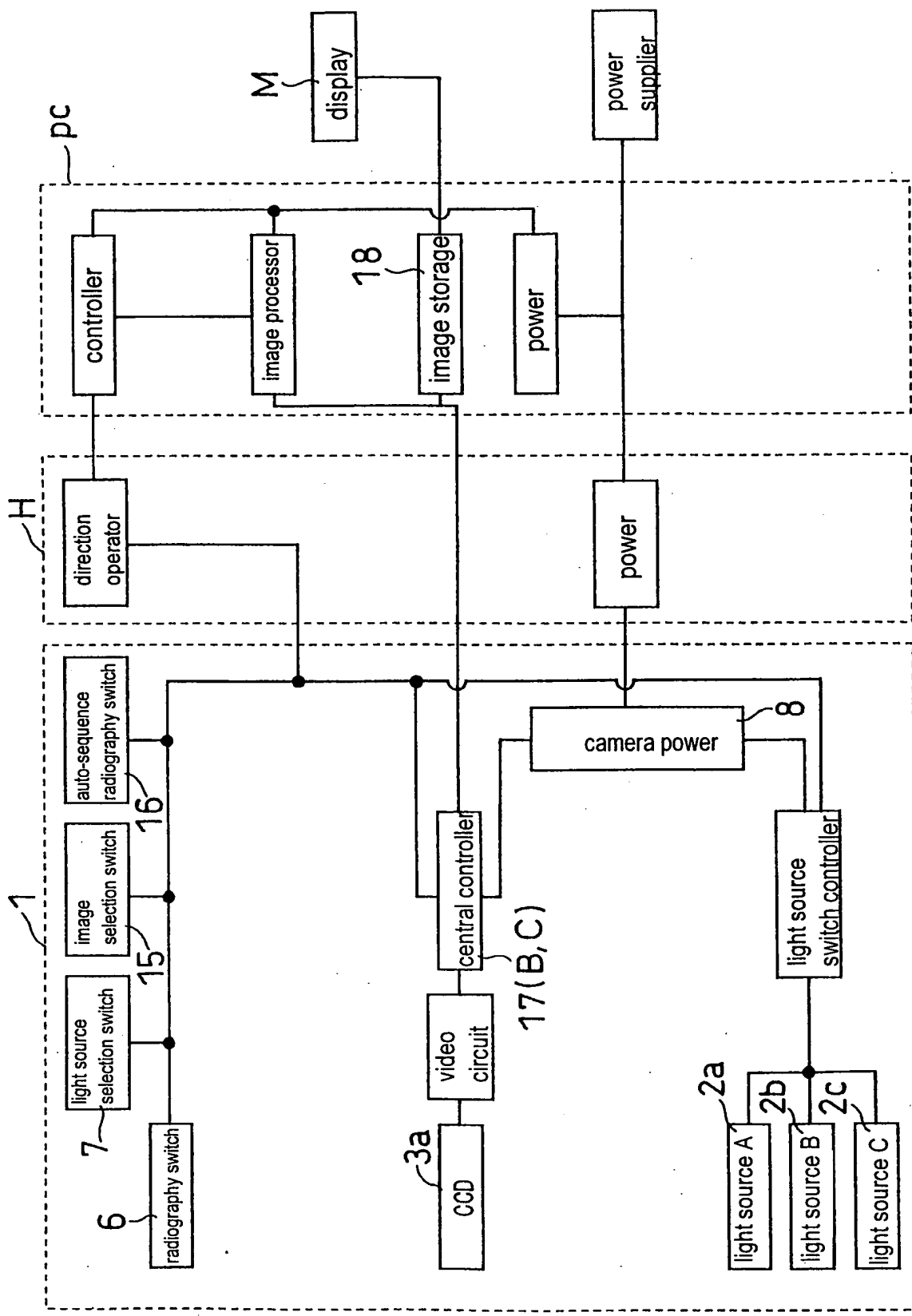


Fig. 50

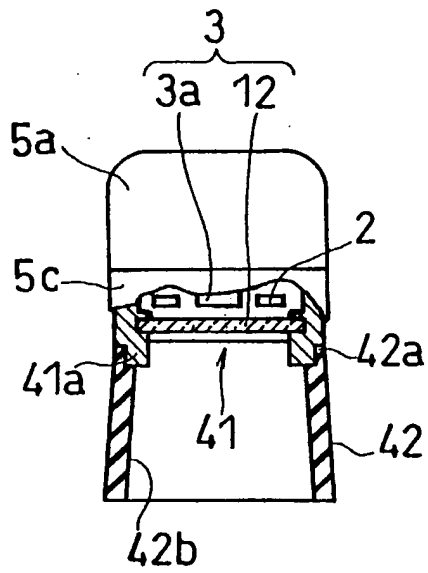


Fig. 51a

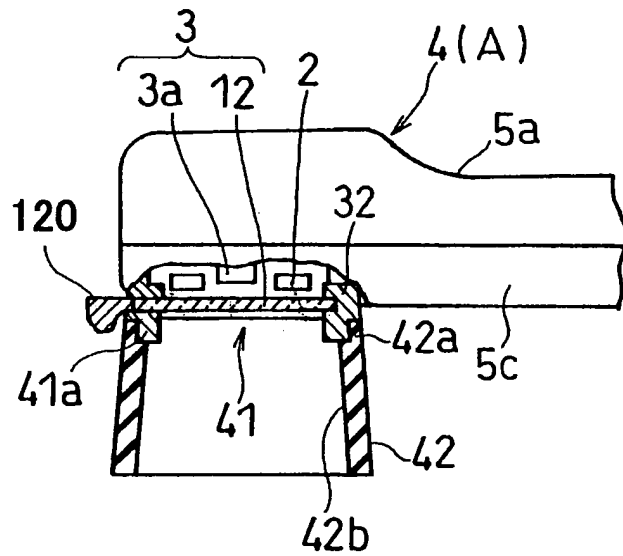


Fig. 51b

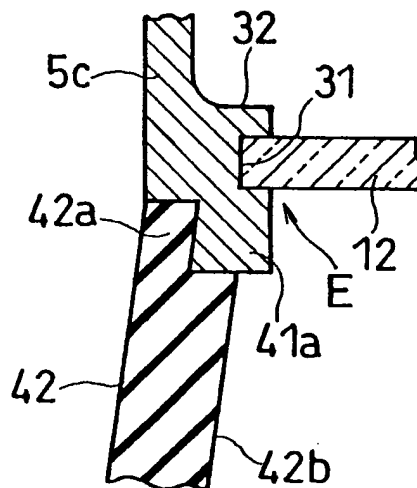


Fig. 51c

Fig. 52a

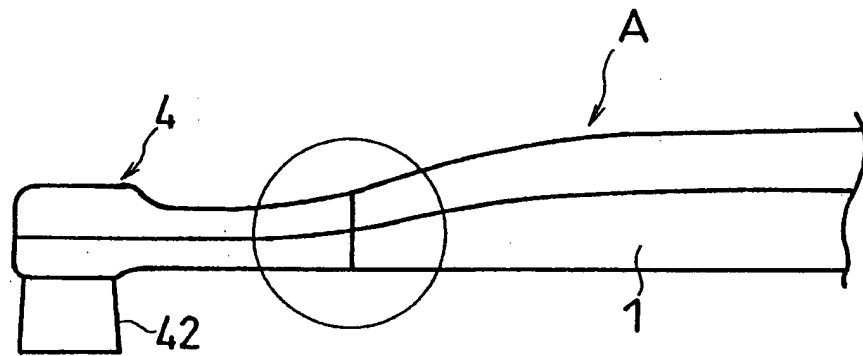
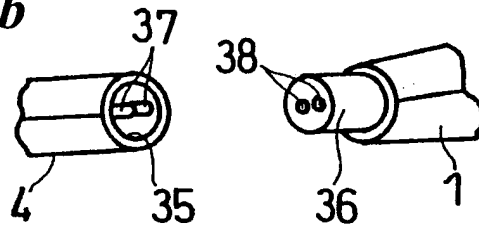


Fig. 52b



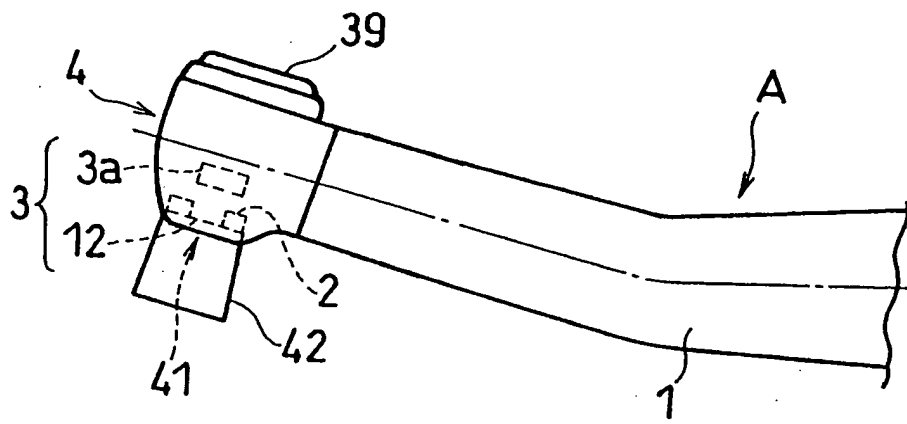


Fig. 53

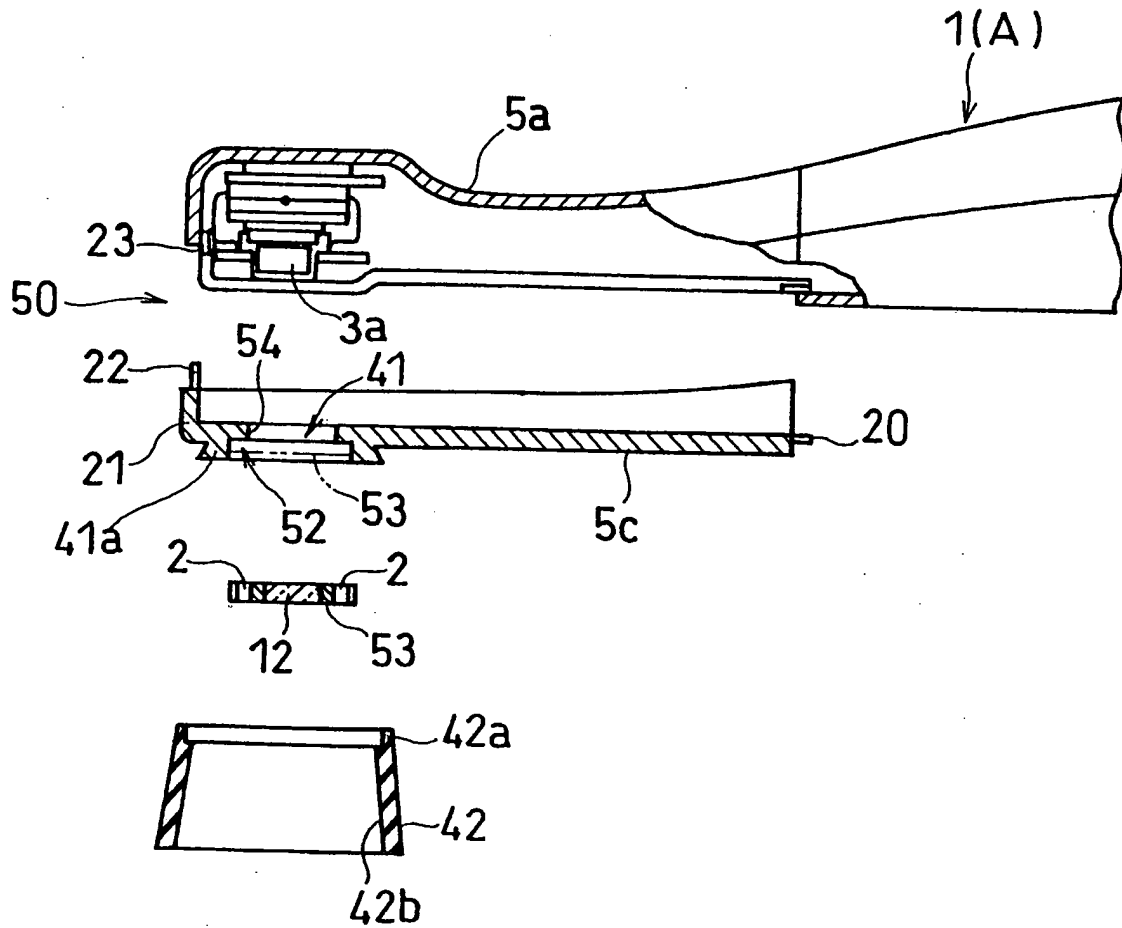


Fig. 54

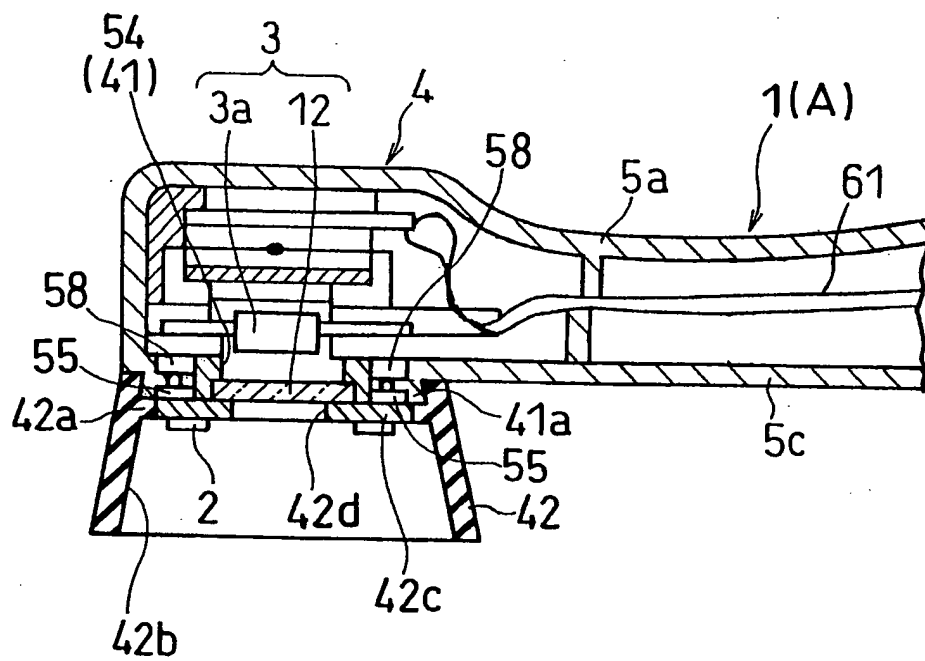


Fig. 55

Fig. 56a

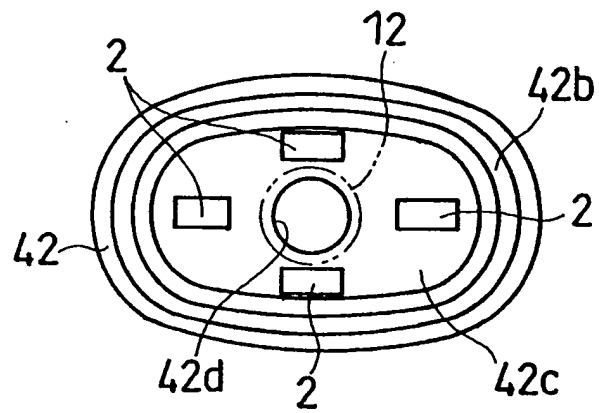
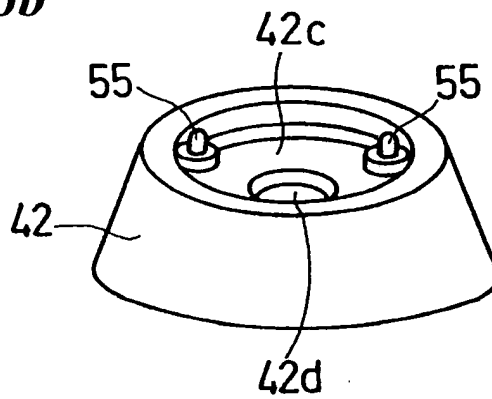


Fig. 56b



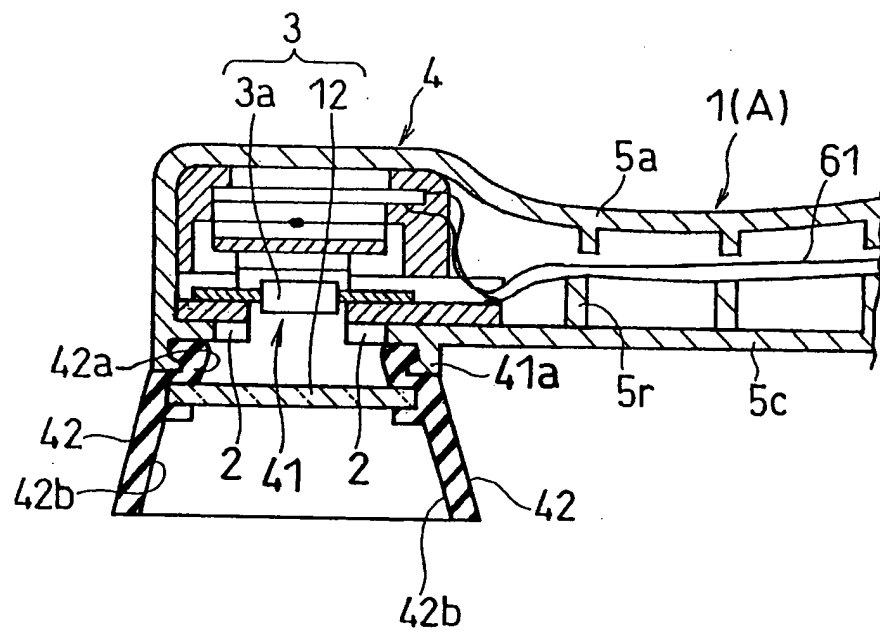


Fig. 57

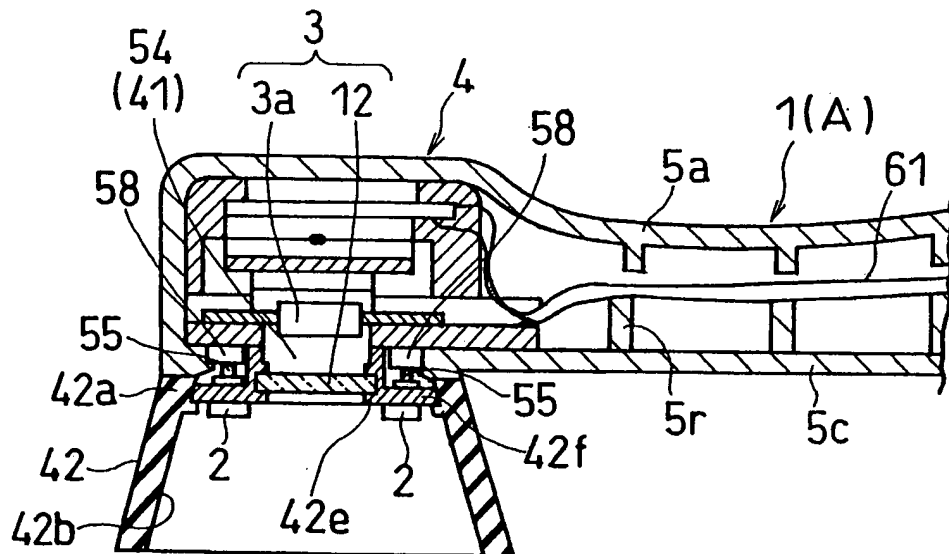


Fig. 58

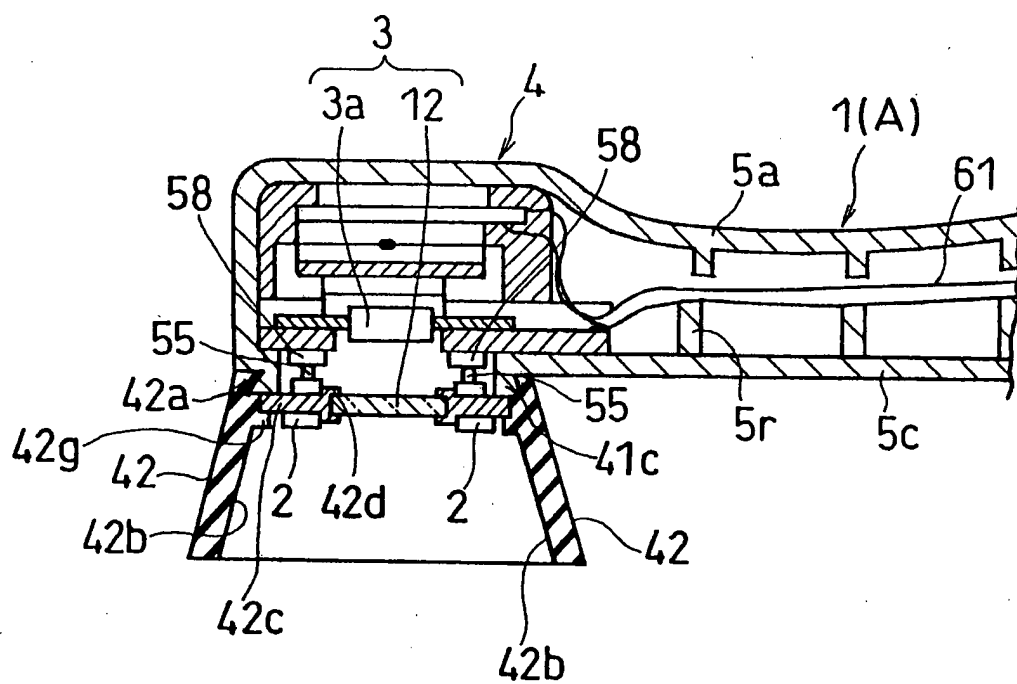


Fig. 59

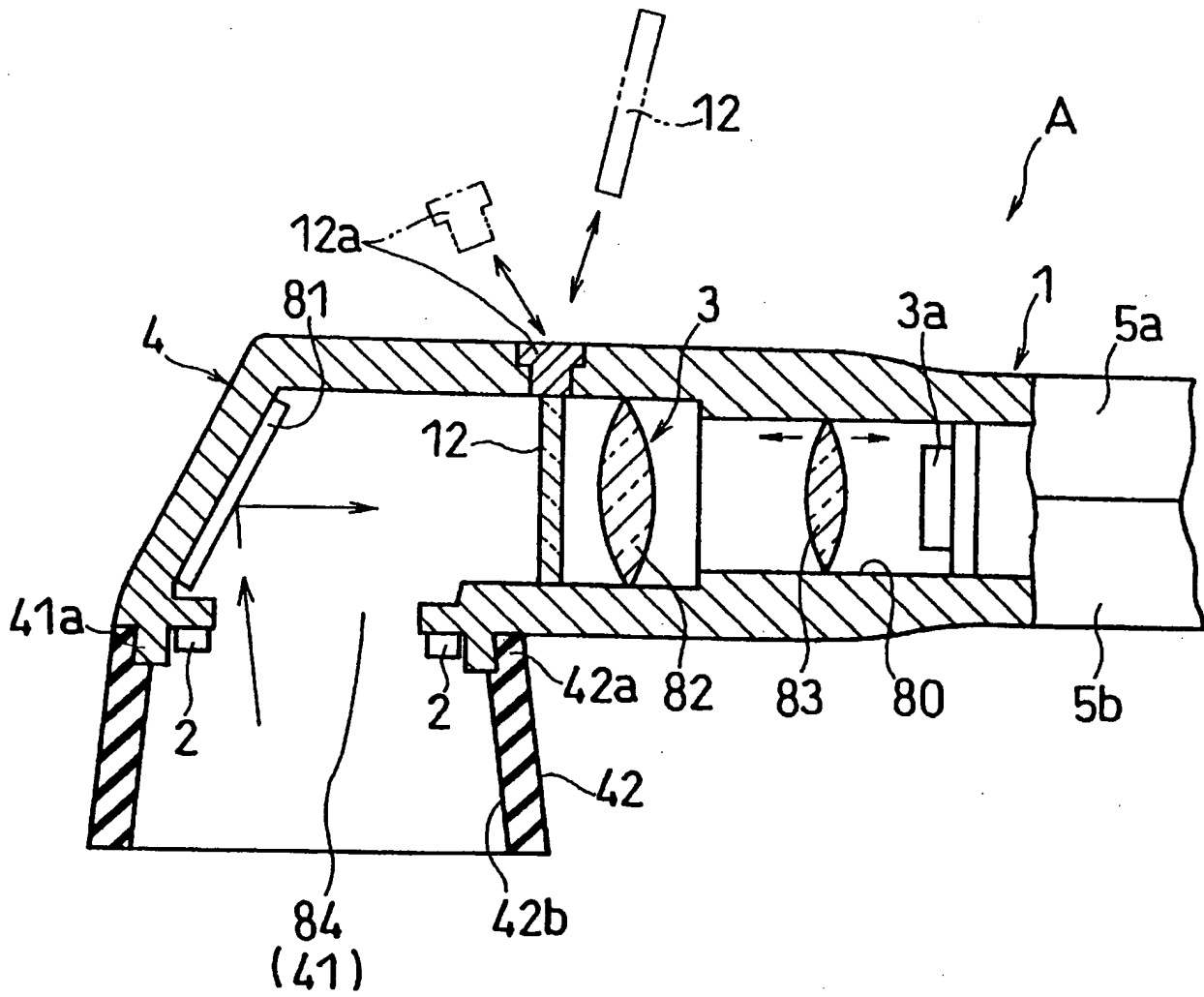


Fig. 60

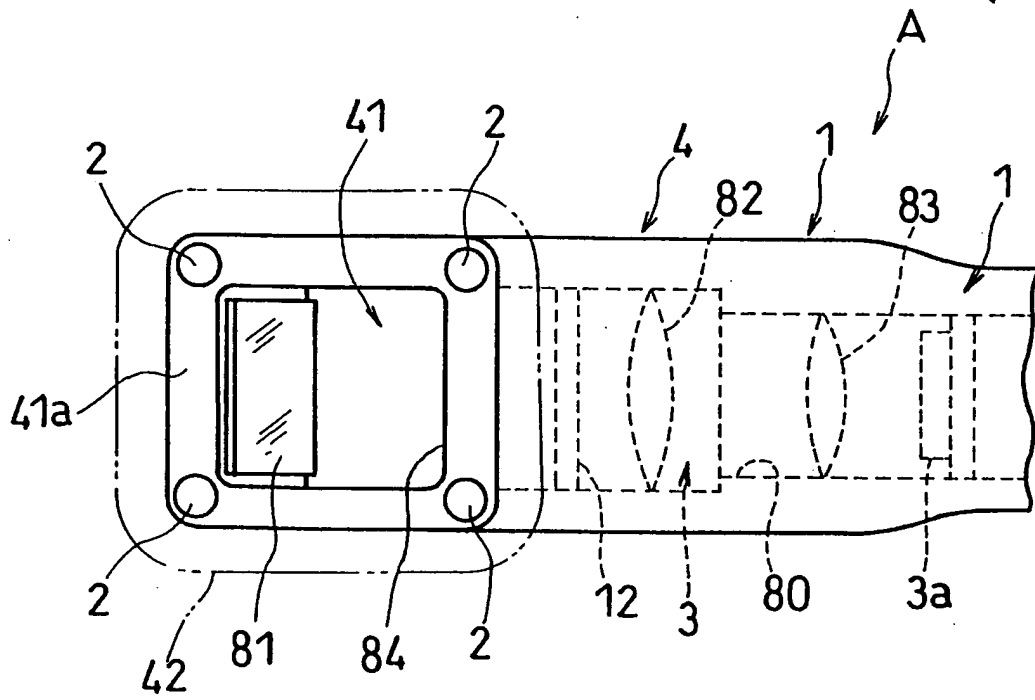


Fig. 61

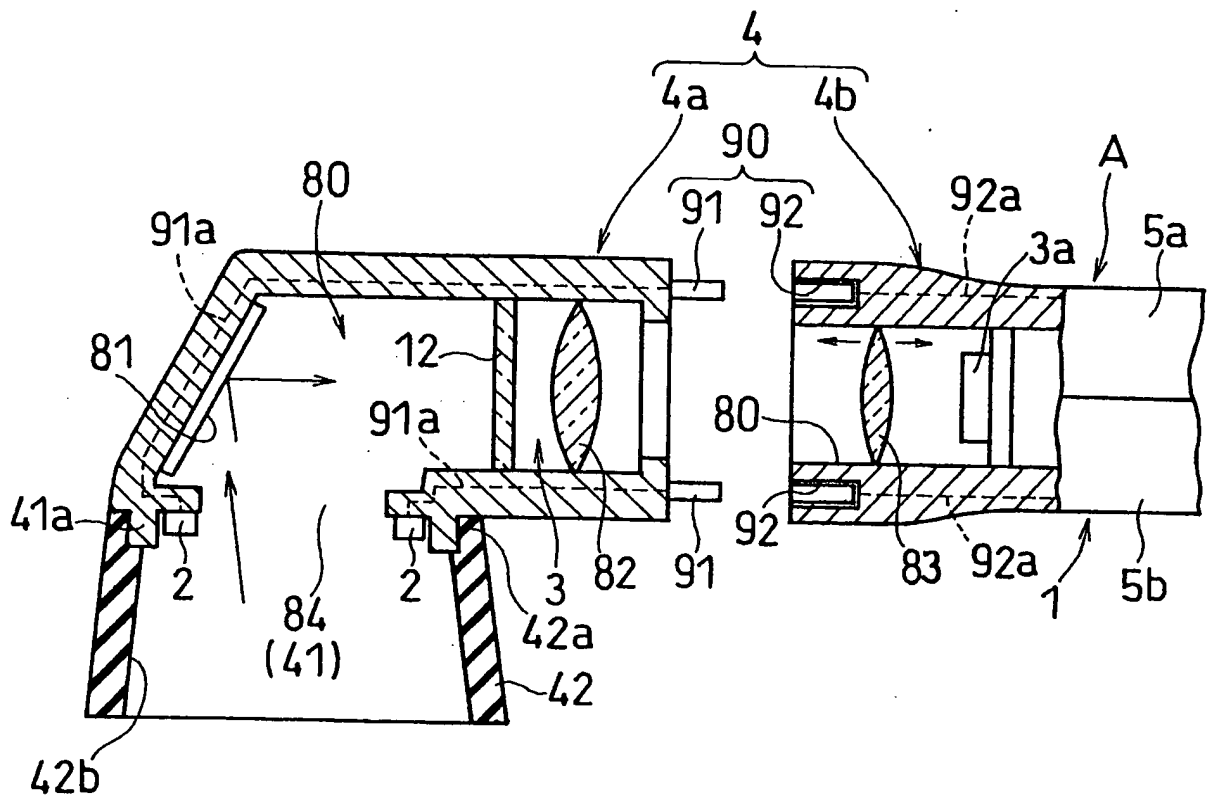


Fig. 62

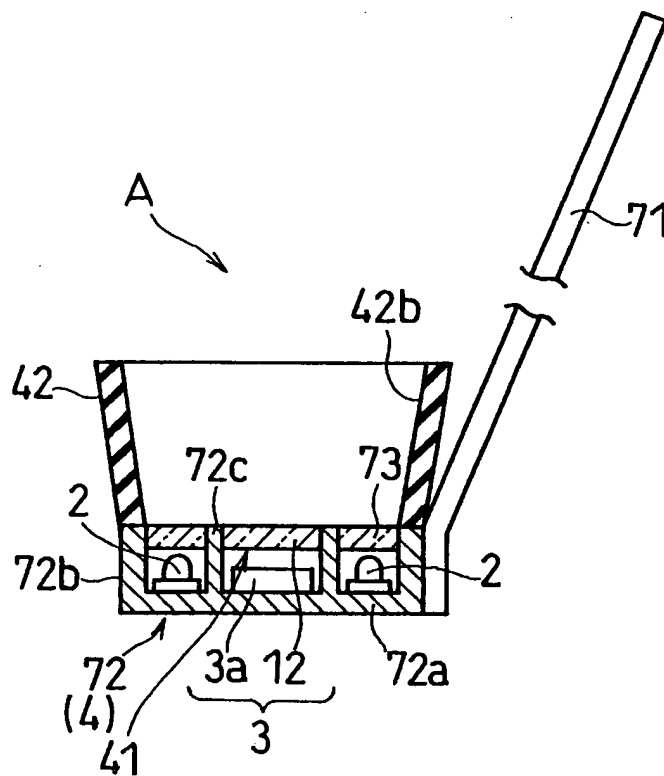


Fig. 63

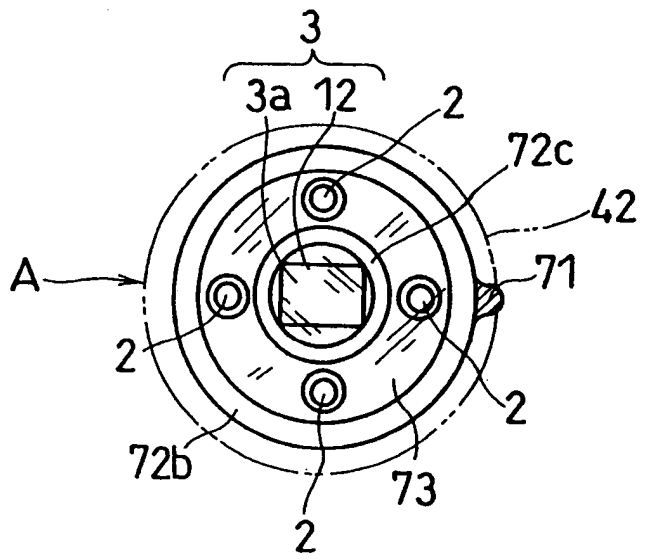


Fig. 64

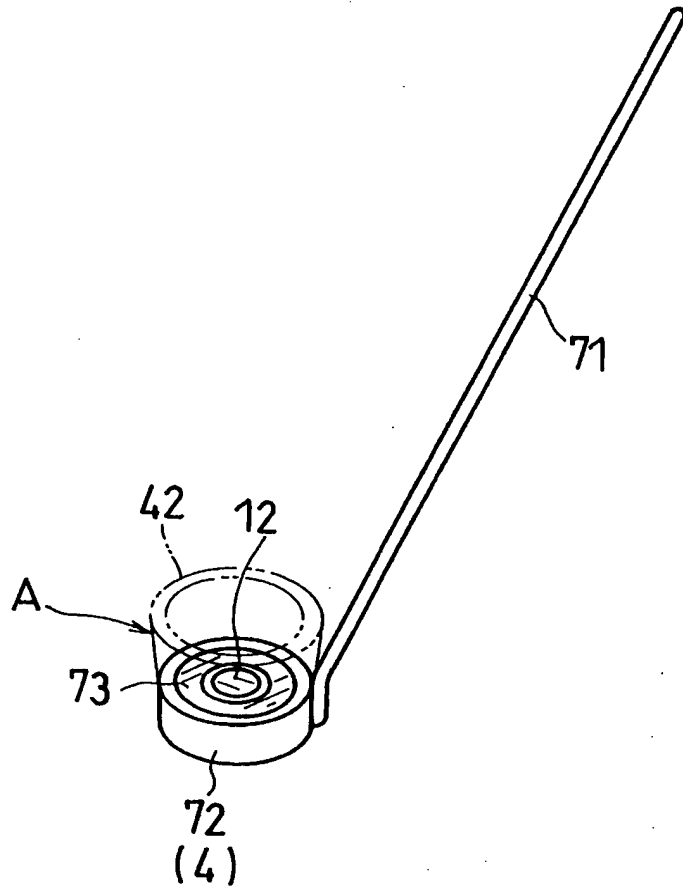


Fig. 65